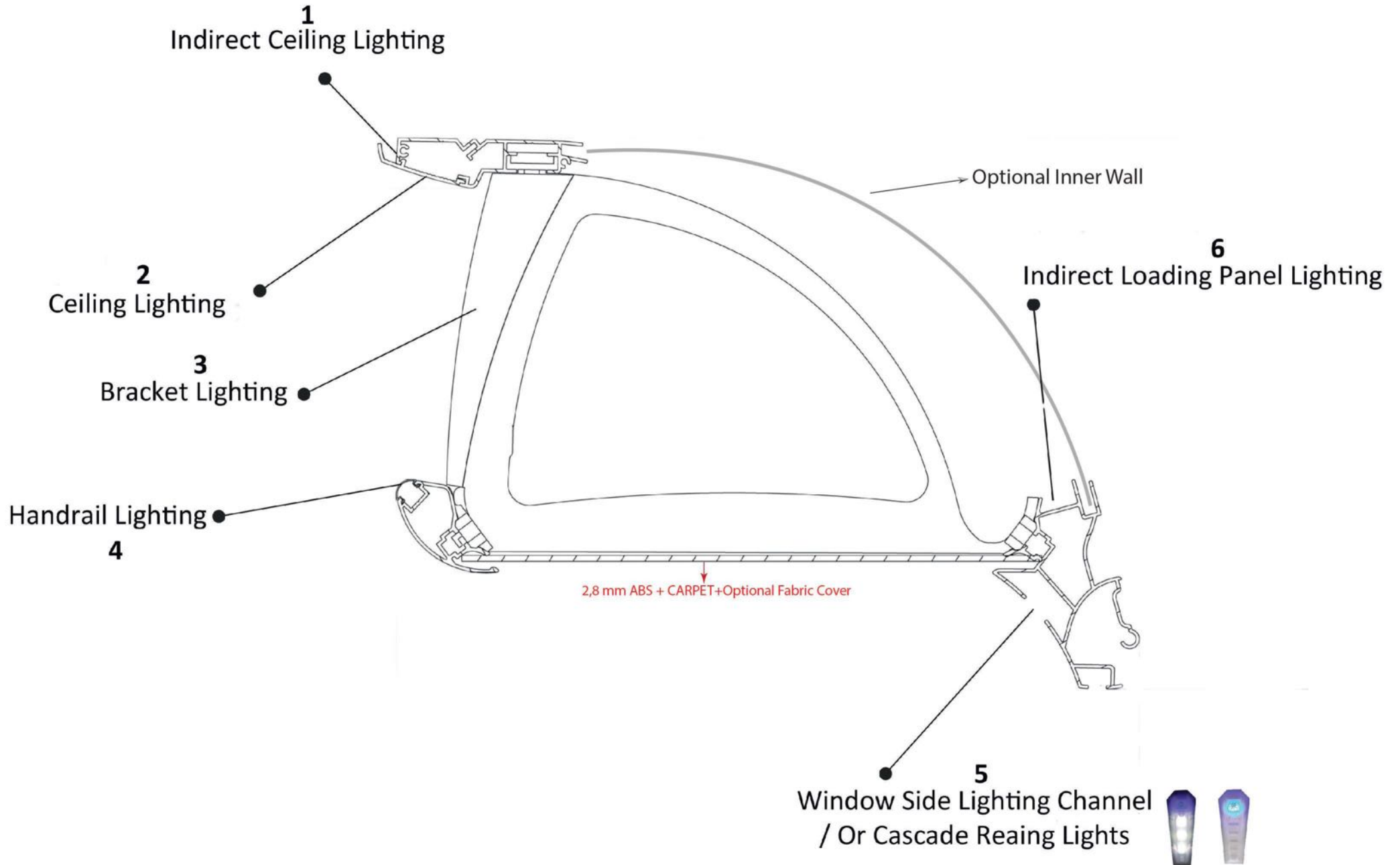


CLASSY LUGGAGE RACK ONLY SINGLE LINE

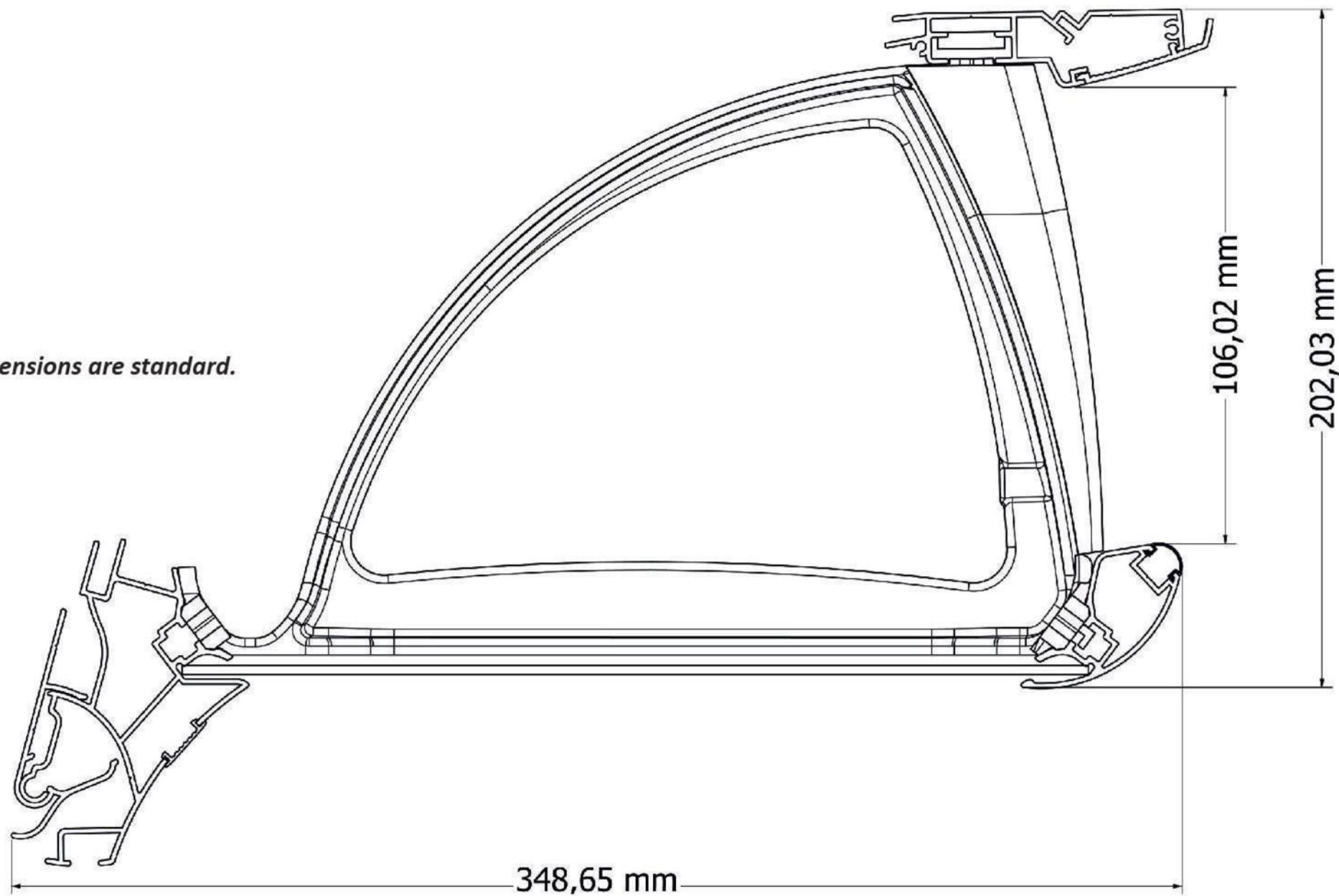


CLASSY LUGGAGE RACK ONLY SINGLE LINE
Lighting Options



CLASSY LUGGAGE RACK ONLY SINGLE LINE
Dimensions

All dimensions are standard.



CLASSY LUGGAGE RACK ONLY SINGLE LINE

Please fill in the following

COLOUR OPTIONS

PROFILE COLOUR OPTIONS;

ANODIZED GRAY
BEIGE
BLACK
GRAY

ABS COLOUR OPTIONS;

BEIGE : RAL 1015
DARK BEIGE : RAL 1019
GRAY : RAL 7035
DARK GRAY : RAL 9023
MID GRAY : RAL 7037
BLACK : RAL 9005

LED COLOUR OPTIONS;

WARM WHITE
COOL WHITE
ORANGE
BLUE

BRACKET CAP COLOUR OPTIONS;

BLUE
ORANGE
BLACK

END CAP COLOUR OPTIONS;

ONLY IN BLACK

PROFILE COLOUR

TOTAL LENGTH

Left Side	<input type="text"/>	mm
-----------	----------------------	----

Right Side	<input type="text"/>	mm
------------	----------------------	----

BRACKET COLOUR

Black	<input type="checkbox"/>
-------	--------------------------

Beige	<input type="checkbox"/>
-------	--------------------------

Mid Gray	<input type="checkbox"/>
----------	--------------------------

BRACKET CAP COLOUR / BRACKET LIGHTING

<input type="text"/>	YES	<input type="checkbox"/>	NO	<input type="checkbox"/>
----------------------	-----	--------------------------	----	--------------------------

CASCADE READING LIGHTS

(Instead of Window Side Lighting Channel)

YES	<input type="checkbox"/>	RIGHT SIDE QTY:	<input type="text"/>
-----	--------------------------	-----------------	----------------------

NO	<input type="checkbox"/>	LEFT SIDE QTY:	<input type="text"/>
----	--------------------------	----------------	----------------------

LIGHTING OPTIONS

		LED STRIP COLOUR
1	Indirect Ceiling Lighting	<input type="text"/>
2	Ceiling Lighting	<input type="text"/>
3	Bracket Lighting	see above
4	Handrail Lighting	<input type="text"/>
5	Window Side Lighting Channel	<input type="text"/>
6	Indirect Loading Panel Lighting	<input type="text"/>

LOADING PANEL VISIBLE SIDE FABRIC OPTION

Yes	<input type="checkbox"/>	→ Contrast Colour	<input type="checkbox"/>	Matching Colour	<input type="checkbox"/>
-----	--------------------------	-------------------	--------------------------	-----------------	--------------------------

No	<input type="checkbox"/>	→ ABS Colour Code: RAL.....
----	--------------------------	-----------------------------

ABS INNER WALL OPTION

Yes	<input type="checkbox"/>	→ FABRIC COVER OPTION	Yes	<input type="checkbox"/>	→ Contrast Colour	<input type="checkbox"/>	Matching Colour	<input type="checkbox"/>
-----	--------------------------	-----------------------	-----	--------------------------	-------------------	--------------------------	-----------------	--------------------------

No	<input type="checkbox"/>	→ ABS Colour Code: RAL.....
----	--------------------------	-----------------------------

FLAP OPTION

Yes	<input type="checkbox"/>	→	FLAP COLOUR	<input type="checkbox"/>	→	QUANTITY	<input type="text"/>	<input type="text"/>
No	<input type="checkbox"/>	→	BLACK	<input type="checkbox"/>	→	LEFT		RIGHT
			GRAY	<input type="checkbox"/>				
			BEIGE	<input type="checkbox"/>				
			WOODEN COATED DESIGN	<input type="checkbox"/>				

Thank you for choosing our products.