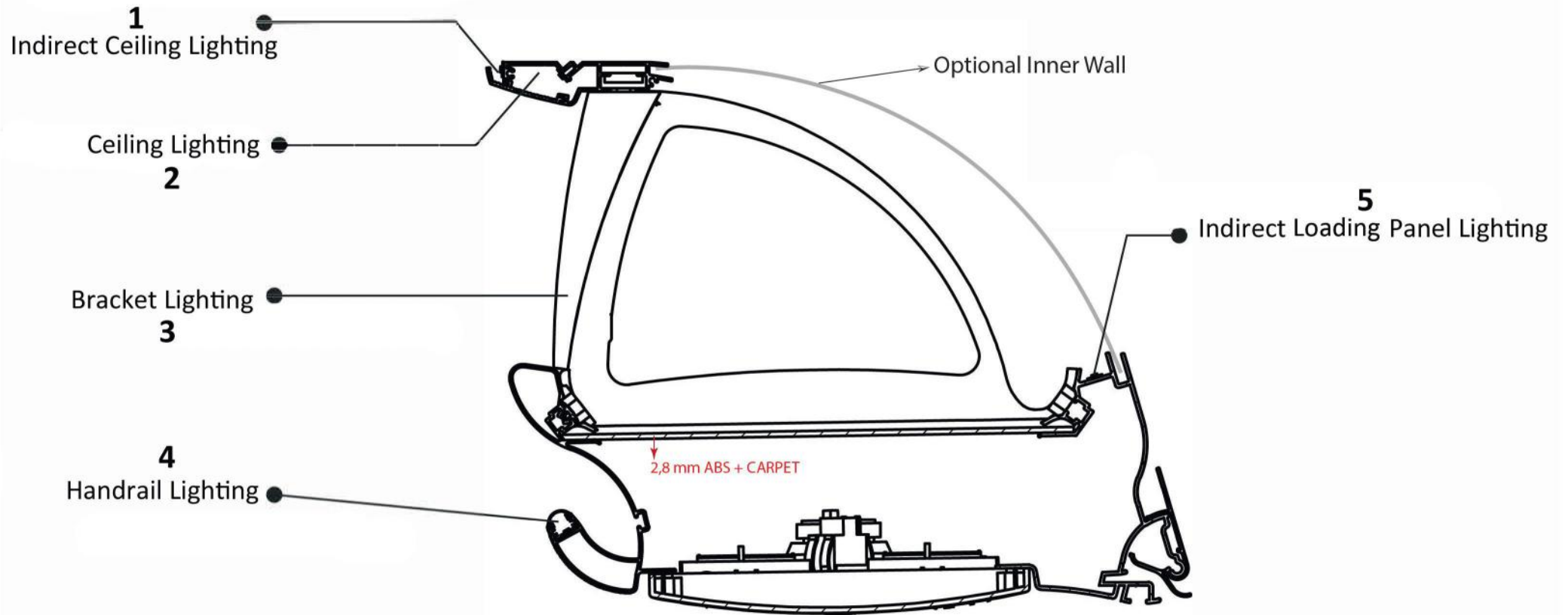


CLASSY LUGGAGE RACK & AIR CHANNEL WITH HANDRAIL



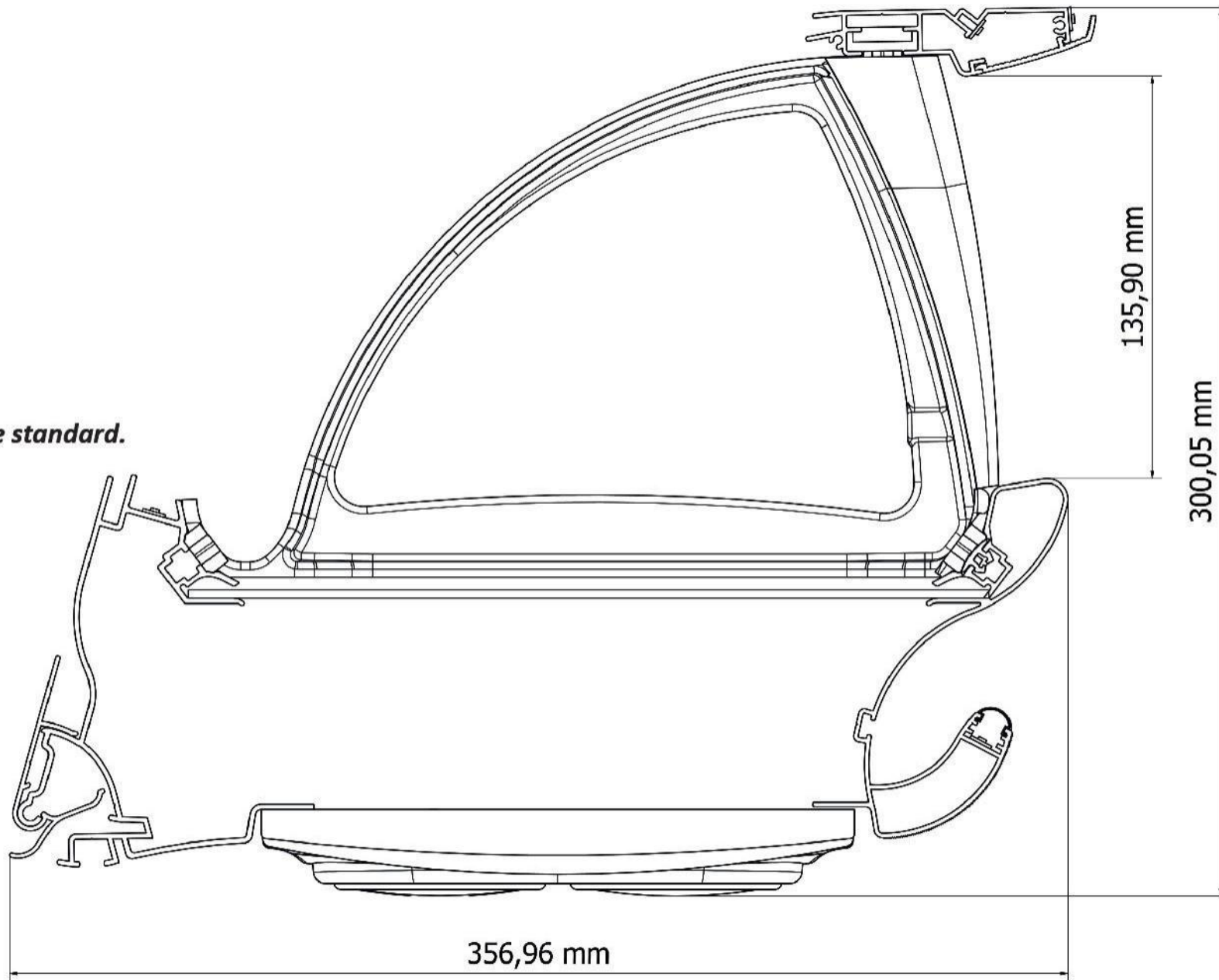
CLASSY LUGGAGE RACK & AIR CHANNEL WITH HANDRAIL

Lighting Options



CLASSY LUGGAGE RACK & AIR CHANNEL WITH HANDRAIL
Dimensions

All dimensions are standard.



CLASSY LUGGAGE RACK & AIR CHANNEL WITH HANDRAIL

Please fill in the following

COLOUR OPTIONS

PROFILE COLOUR OPTIONS;

ANODIZED GRAY
BEIGE
BLACK
GRAY

ABS COLOUR OPTIONS;

BEIGE : RAL 1015
DARK BEIGE : RAL 1019
GRAY : RAL 7035
DARK GRAY : RAL 9023
MID GRAY : RAL 7037
BLACK : RAL 9005

LED COLOUR OPTIONS;

WARM WHITE
COOL WHITE
ORANGE
BLUE

BRACKET CAP COLOUR OPTIONS;

BLUE
ORANGE
BLACK

END CAP COLOUR OPTIONS;

ONLY IN BLACK

PROFILE COLOUR

TOTAL LENGTH

Left Side	<input type="text"/>	mm
-----------	----------------------	----

Right Side	<input type="text"/>	mm
------------	----------------------	----

BRACKET COLOUR

Black	<input type="checkbox"/>
-------	--------------------------

Beige	<input type="checkbox"/>
-------	--------------------------

Mid Gray	<input type="checkbox"/>
----------	--------------------------

BRACKET CAP COLOUR / BRACKET LIGHTING

YES	<input type="checkbox"/>	NO	<input type="checkbox"/>
-----	--------------------------	----	--------------------------

LIGHTING OPTIONS

		LED STRIP COLOUR
1	Indirect Ceiling Lighting	<input type="text"/>
2	Ceiling Lighting	<input type="text"/>
3	Bracket Lighting	see above
4	Handrail Lighting	<input type="text"/>
5	Indirect Loading Panel Lighting	<input type="text"/>

FLAP OPTION

Yes	<input type="checkbox"/>
No	<input type="checkbox"/>

FLAP COLOUR

BLACK
 GRAY
 BEIGE
 WOODEN COATED DESIGN

QUANTITY

LEFT	RIGHT
<input type="text"/>	<input type="text"/>

SPACER TYPE

Elegant	Elliptic	Plain Single Layer	Plain Double Layer	Flat	Junior Spacer	Plexi Glass Design
---------	----------	--------------------	--------------------	------	---------------	--------------------

SERVICE SET

Standard Intense	<input checked="" type="checkbox"/>	<input checked="" type="checkbox"/>	<input checked="" type="checkbox"/>	<input checked="" type="checkbox"/>	<input checked="" type="checkbox"/>	<input type="checkbox"/>	<input checked="" type="checkbox"/>
Luxury Intense	<input checked="" type="checkbox"/>	<input checked="" type="checkbox"/>	<input checked="" type="checkbox"/>	<input checked="" type="checkbox"/>	<input checked="" type="checkbox"/>	<input type="checkbox"/>	<input checked="" type="checkbox"/>
Standard Intense With Wheel Air Jets	<input checked="" type="checkbox"/>	<input checked="" type="checkbox"/>	<input checked="" type="checkbox"/>	<input checked="" type="checkbox"/>	<input checked="" type="checkbox"/>	<input type="checkbox"/>	<input checked="" type="checkbox"/>
Luxury Intense With Wheel Air Jets	<input checked="" type="checkbox"/>	<input checked="" type="checkbox"/>	<input checked="" type="checkbox"/>	<input checked="" type="checkbox"/>	<input checked="" type="checkbox"/>	<input type="checkbox"/>	<input checked="" type="checkbox"/>
Drops	<input checked="" type="checkbox"/>	<input checked="" type="checkbox"/>	<input checked="" type="checkbox"/>	<input checked="" type="checkbox"/>	<input type="checkbox"/>	<input type="checkbox"/>	<input type="checkbox"/>
Drops With Spot Light	<input checked="" type="checkbox"/>	<input checked="" type="checkbox"/>	<input checked="" type="checkbox"/>	<input checked="" type="checkbox"/>	<input type="checkbox"/>	<input type="checkbox"/>	<input type="checkbox"/>
Elegant	<input checked="" type="checkbox"/>	<input checked="" type="checkbox"/>	<input checked="" type="checkbox"/>	<input checked="" type="checkbox"/>	<input type="checkbox"/>	<input type="checkbox"/>	<input type="checkbox"/>
Junior	<input type="checkbox"/>	<input type="checkbox"/>	<input type="checkbox"/>	<input type="checkbox"/>	<input checked="" type="checkbox"/>	<input checked="" type="checkbox"/>	<input type="checkbox"/>

suitable to combine

SERVICE SET TYPE

QUANTITY

LEFT RIGHT

<input type="text"/>	<input type="text"/>
----------------------	----------------------

SPACERTYPE

<input type="text"/>	<input type="text"/>
----------------------	----------------------

ABS INNER WALL OPTION

Yes	<input type="checkbox"/>
No	<input type="checkbox"/>

FABRIC COVER OPTION

Yes

Contrast Colour

Matching Colour

No

ABS Colour Code: RAL.....

Thank you for choosing our products.