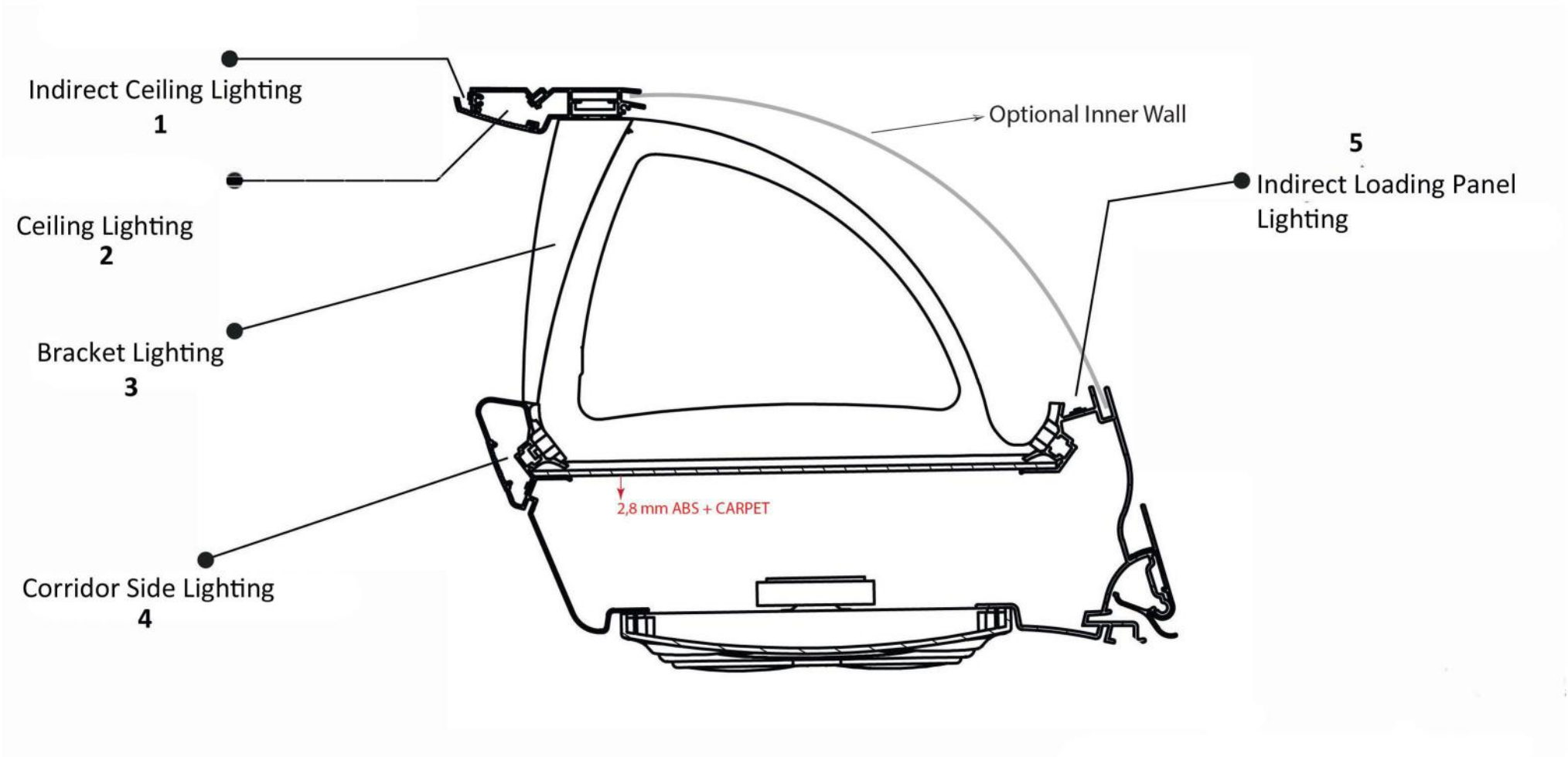


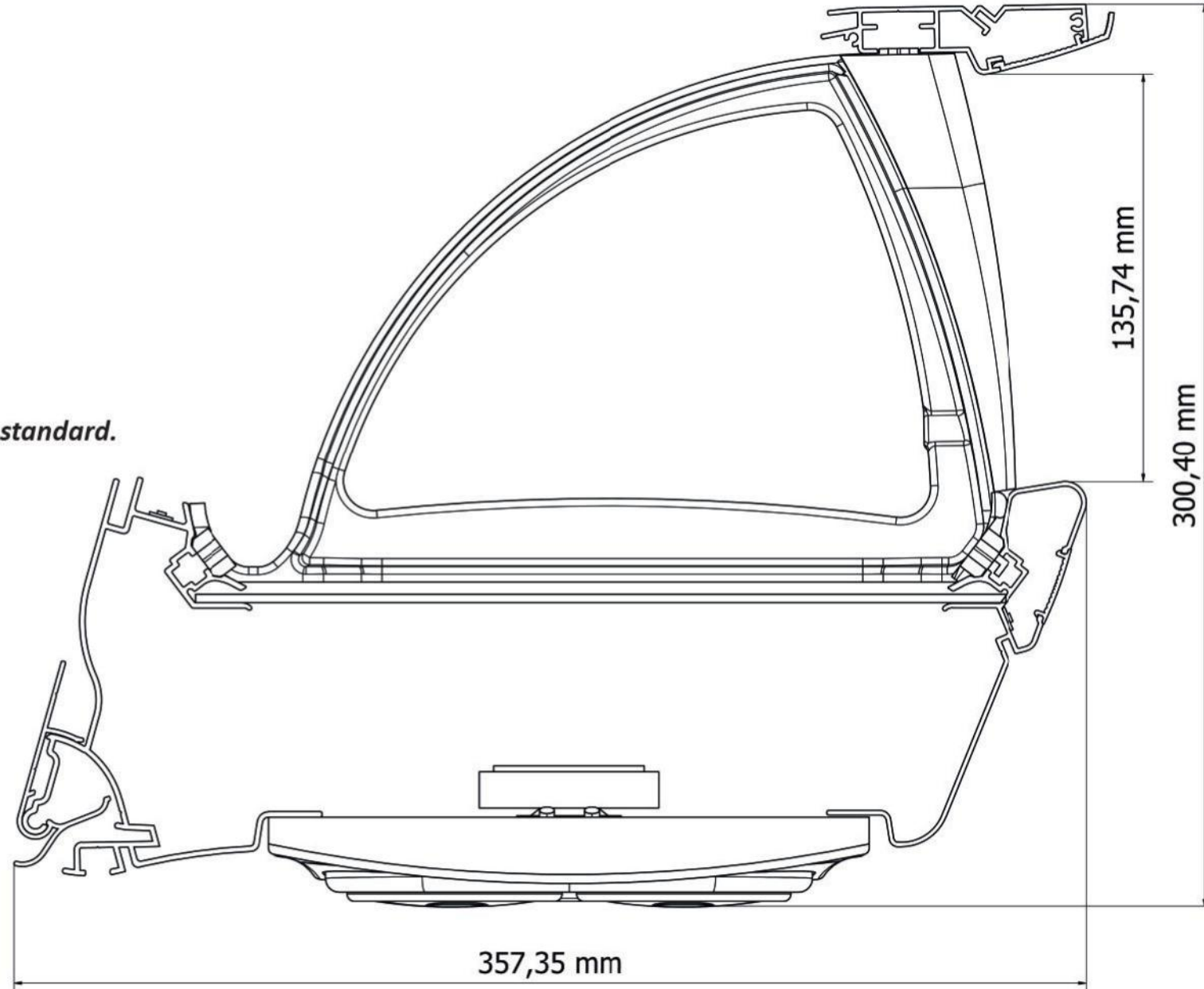
CLASSY LUGGAGE RACK & AIR CHANNEL WITHOUT HANDRAIL



CLASSY LUGGAGE RACK & AIR CHANNEL WITHOUT HANDRAIL
Lighting Options



CLASSY LUGGAGE RACK & AIR CHANNEL WITHOUT HANDRAIL
Dimensions



135,74 mm

300,40 mm

357,35 mm

All dimensions are standard.

CLASSY LUGGAGE RACK & AIR CHANNEL WITHOUT HANDRAIL

Please fill in the following

COLOUR OPTIONS

PROFILE COLOUR OPTIONS;

ANODIZED GRAY
BEIGE
BLACK
GRAY

ABS COLOUR OPTIONS;

BEIGE : RAL 1015
DARK BEIGE : RAL 1019
GRAY : RAL 7035
DARK GRAY : RAL 9023
MID GRAY : RAL 7037
BLACK : RAL 9005

LED COLOUR OPTIONS;

WARM WHITE
COOL WHITE
ORANGE
BLUE

BRACKET CAP COLOUR OPTIONS;

BLUE
ORANGE
BLACK

END CAP COLOUR OPTIONS; ONLY IN BLACK

PROFILE COLOUR

TOTAL LENGTH

 Left Side mm

 Right Side mm

BRACKET COLOUR

 Black
 Beige
 Mid Gray

BRACKET CAP COLOUR / BRACKET LIGHTING

 YES NO

LIGHTING OPTIONS

		LED STRIP COLOUR
1	Indirect Ceiling Lighting	<input type="text"/>
2	Ceiling Lighting	<input type="text"/>
3	Bracket Lighting	<i>see above</i>
4	Corridor Side Lighting	<input type="text"/>
5	Indirect Loading Panel Lighting	<input type="text"/>

FLAP OPTION

 Yes No

FLAP COLOUR

BLACK
GRAY
BEIGE

WOODEN COATED DESIGN

QUANTITY

LEFT RIGHT

SPACER TYPE

Elegant	Elliptic	Plain Single Layer	Plain Double Layer	Flat	Junior Spacer	Plexi Glass Design
<input checked="" type="checkbox"/>	<input checked="" type="checkbox"/>	<input checked="" type="checkbox"/>	<input checked="" type="checkbox"/>	<input checked="" type="checkbox"/>	<input type="checkbox"/>	<input checked="" type="checkbox"/>
<input checked="" type="checkbox"/>	<input checked="" type="checkbox"/>	<input checked="" type="checkbox"/>	<input checked="" type="checkbox"/>	<input checked="" type="checkbox"/>	<input type="checkbox"/>	<input checked="" type="checkbox"/>
<input checked="" type="checkbox"/>	<input checked="" type="checkbox"/>	<input checked="" type="checkbox"/>	<input checked="" type="checkbox"/>	<input checked="" type="checkbox"/>	<input type="checkbox"/>	<input checked="" type="checkbox"/>
<input checked="" type="checkbox"/>	<input checked="" type="checkbox"/>	<input checked="" type="checkbox"/>	<input checked="" type="checkbox"/>	<input type="checkbox"/>	<input type="checkbox"/>	<input type="checkbox"/>
<input checked="" type="checkbox"/>	<input checked="" type="checkbox"/>	<input checked="" type="checkbox"/>	<input checked="" type="checkbox"/>	<input type="checkbox"/>	<input type="checkbox"/>	<input type="checkbox"/>
<input checked="" type="checkbox"/>	<input checked="" type="checkbox"/>	<input checked="" type="checkbox"/>	<input checked="" type="checkbox"/>	<input type="checkbox"/>	<input type="checkbox"/>	<input type="checkbox"/>
<input type="checkbox"/>	<input type="checkbox"/>	<input type="checkbox"/>	<input type="checkbox"/>	<input checked="" type="checkbox"/>	<input checked="" type="checkbox"/>	<input type="checkbox"/>

SERVICE SET

Standard Intense
Luxury Intense
Standard Intense With Wheel Air Jets
Luxury Intense With Wheel Air Jets
Drops
Drops With Spot Light
Elegant
Junior

suitable to combine

SERVICE SET TYPE

 LEFT RIGHT

SPACER TYPE

 LEFT RIGHT

ABS INNER WALL OPTION

 Yes No

FABRIC COVER OPTION

Yes

No

Contrast Colour

Matching Colour

ABS Colour Code: RAL.....

Thank you for choosing our products.