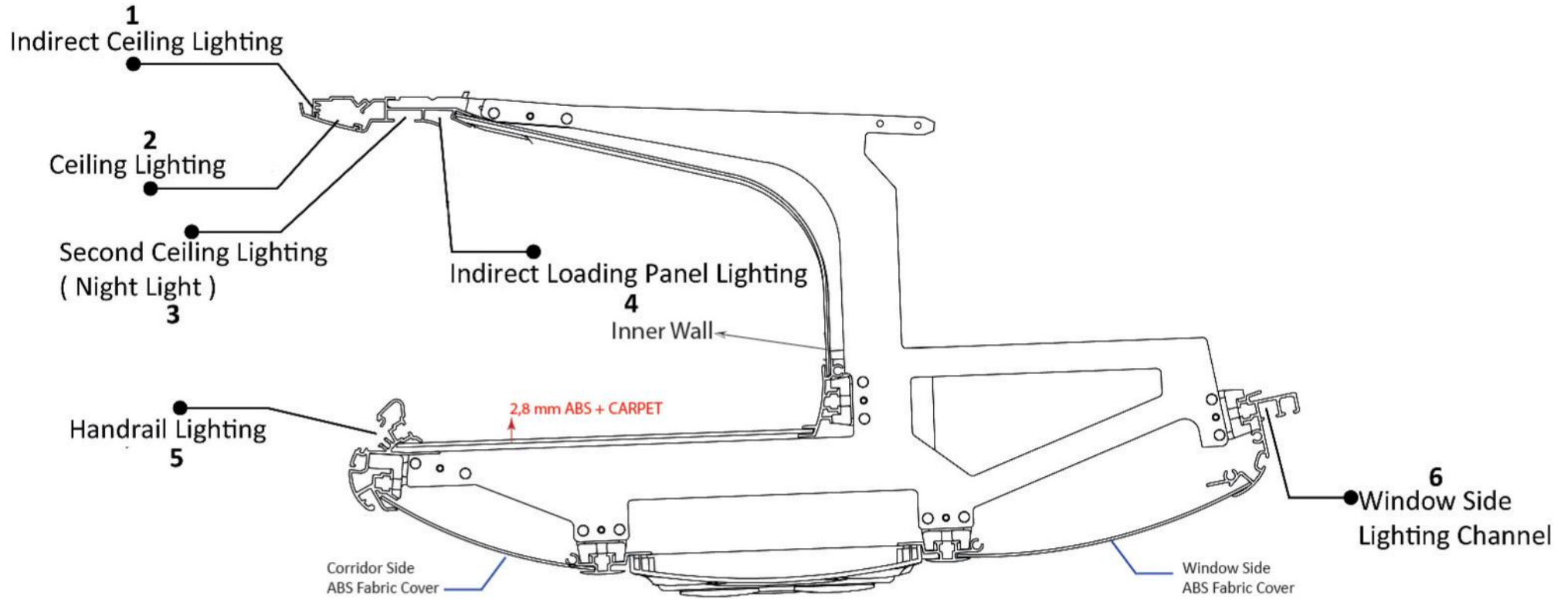


FLEXI LUX LUGGAGE RACK & AIR CHANNEL FOR COACHES V2



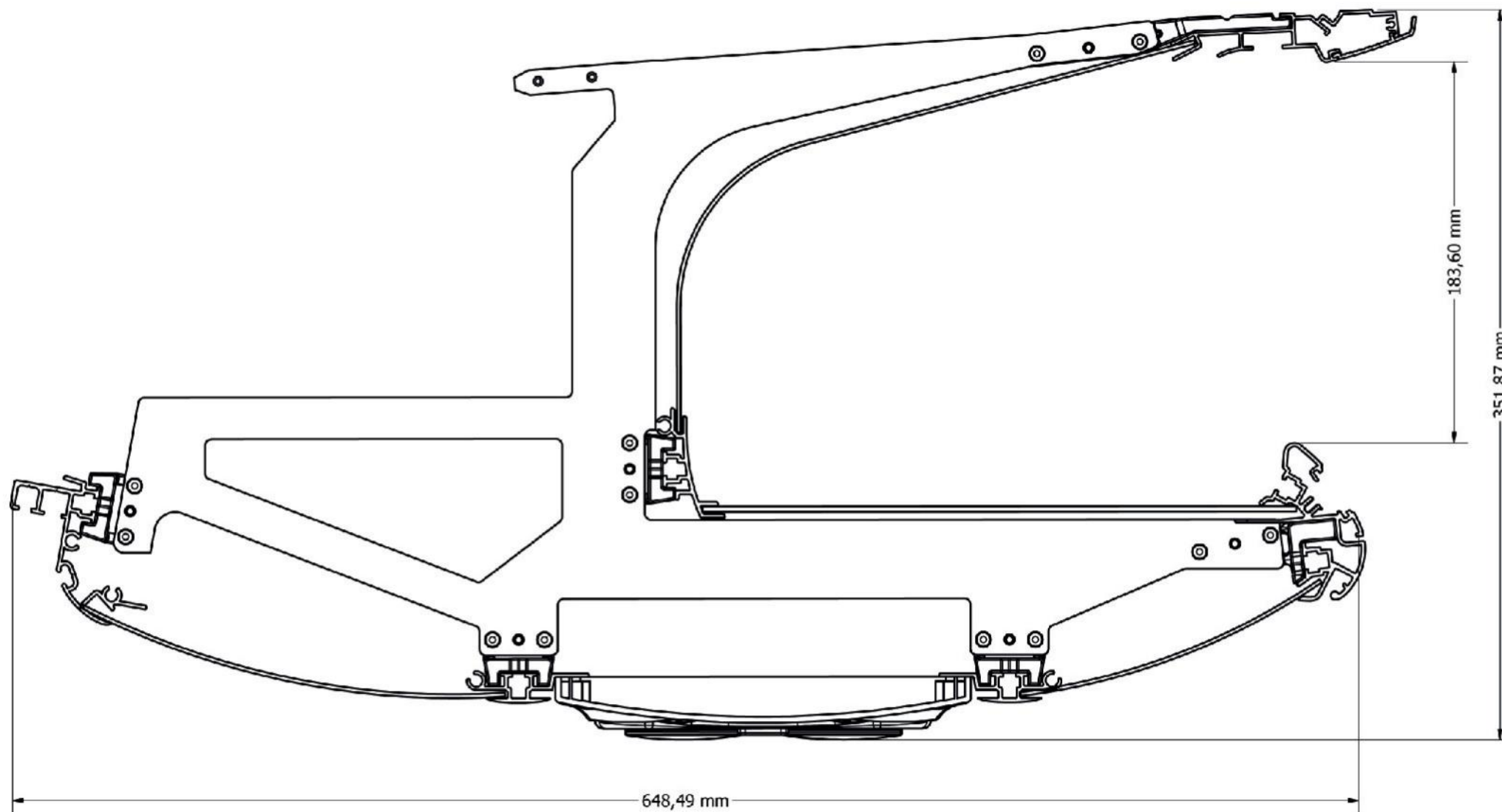
FLEXI LUX LUGGAGE RACK & AIR CHANNEL FOR COACHES V2

Lighting Options



FLEXI LUX LUGGAGE RACK & AIR CHANNEL FOR COACHES V2
Dimensions

All dimensions are flexible.



FLEXI LUX V2 LUGGAGE RACK & AIR CHANNEL FOR COACHES

Please fill in the following

COLOUR OPTIONS

PROFILE COLOUR OPTIONS;

ANODIZED GRAY
BEIGE
BLACK
GRAY

ABS COLOUR OPTIONS;

BEIGE : RAL 1015
DARK BEIGE : RAL 1019
GRAY : RAL 7035
DARK GRAY : RAL 9023
MID GRAY : RAL 7037
BLACK : RAL 9005

LED COLOUR OPTIONS;

WARM WHITE
COOL WHITE
ORANGE
BLUE

END CAPS;

NOT AVAILABLE FOR THIS PRODUCT

PROFILE COLOUR

TOTAL LENGTH

Left Side	<input type="text"/>	mm
-----------	----------------------	----

Right Side	<input type="text"/>	mm
------------	----------------------	----

LIGHTING OPTIONS

		LED STRIP COLOUR
1	Indirect Ceiling Lighting	<input type="text"/>
2	Ceiling Profile Slim Line Lighting	<input type="text"/>
3	Second Ceiling Lighting (Night Light)	<input type="text"/>
4	Indirect Loading Panel Lighting	<input type="text"/>
5	Handrail Lighting	<input type="text"/>
6	Window Side Lighting Channel	<input type="text"/>

SPACER TYPE

Elegant	Elliptic	Plain Single Layer	Plain Double Layer	Flat	Junior Spacer	Plexi Glass Design
---------	----------	--------------------	--------------------	------	---------------	--------------------

SERVICE SET

Standard Intense	<input checked="" type="checkbox"/>	<input checked="" type="checkbox"/>	<input checked="" type="checkbox"/>	<input checked="" type="checkbox"/>	<input checked="" type="checkbox"/>	<input type="checkbox"/>	<input checked="" type="checkbox"/>
Luxury Intense	<input checked="" type="checkbox"/>	<input checked="" type="checkbox"/>	<input checked="" type="checkbox"/>	<input checked="" type="checkbox"/>	<input checked="" type="checkbox"/>	<input type="checkbox"/>	<input checked="" type="checkbox"/>
Standard Intense With Wheel Air Jets	<input checked="" type="checkbox"/>	<input checked="" type="checkbox"/>	<input checked="" type="checkbox"/>	<input checked="" type="checkbox"/>	<input checked="" type="checkbox"/>	<input type="checkbox"/>	<input checked="" type="checkbox"/>
Luxury Intense With Wheel Air Jets	<input checked="" type="checkbox"/>	<input checked="" type="checkbox"/>	<input checked="" type="checkbox"/>	<input checked="" type="checkbox"/>	<input checked="" type="checkbox"/>	<input type="checkbox"/>	<input checked="" type="checkbox"/>
Drops	<input checked="" type="checkbox"/>	<input checked="" type="checkbox"/>	<input checked="" type="checkbox"/>	<input checked="" type="checkbox"/>	<input type="checkbox"/>	<input type="checkbox"/>	<input type="checkbox"/>
Drops With Spot Light	<input checked="" type="checkbox"/>	<input checked="" type="checkbox"/>	<input checked="" type="checkbox"/>	<input checked="" type="checkbox"/>	<input type="checkbox"/>	<input type="checkbox"/>	<input type="checkbox"/>
Elegant	<input checked="" type="checkbox"/>	<input checked="" type="checkbox"/>	<input checked="" type="checkbox"/>	<input checked="" type="checkbox"/>	<input type="checkbox"/>	<input type="checkbox"/>	<input type="checkbox"/>
Junior	<input type="checkbox"/>	<input type="checkbox"/>	<input type="checkbox"/>	<input type="checkbox"/>	<input checked="" type="checkbox"/>	<input checked="" type="checkbox"/>	<input type="checkbox"/>

suitable to combine

SERVICE SET

<input type="text"/>	<input type="text"/>	<input type="text"/>
----------------------	----------------------	----------------------

SPACER TYPE

<input type="text"/>	<input type="text"/>	<input type="text"/>
----------------------	----------------------	----------------------

QUANTITY

LEFT RIGHT

INNER WALL FABRIC OPTION

Yes → Contrast Colour Matching Colour

No → ABS Colour Code: RAL.....

WINDOW SIDE ABS PANEL FABRIC OPTION

Yes → Contrast Colour Matching Colour

No → ABS Colour Code: RAL.....

CORRIDOR SIDE ABS PANEL FABRIC OPTION

Yes → Contrast Colour Matching Colour

No → ABS Colour Code: RAL.....

Thank you for choosing our products.