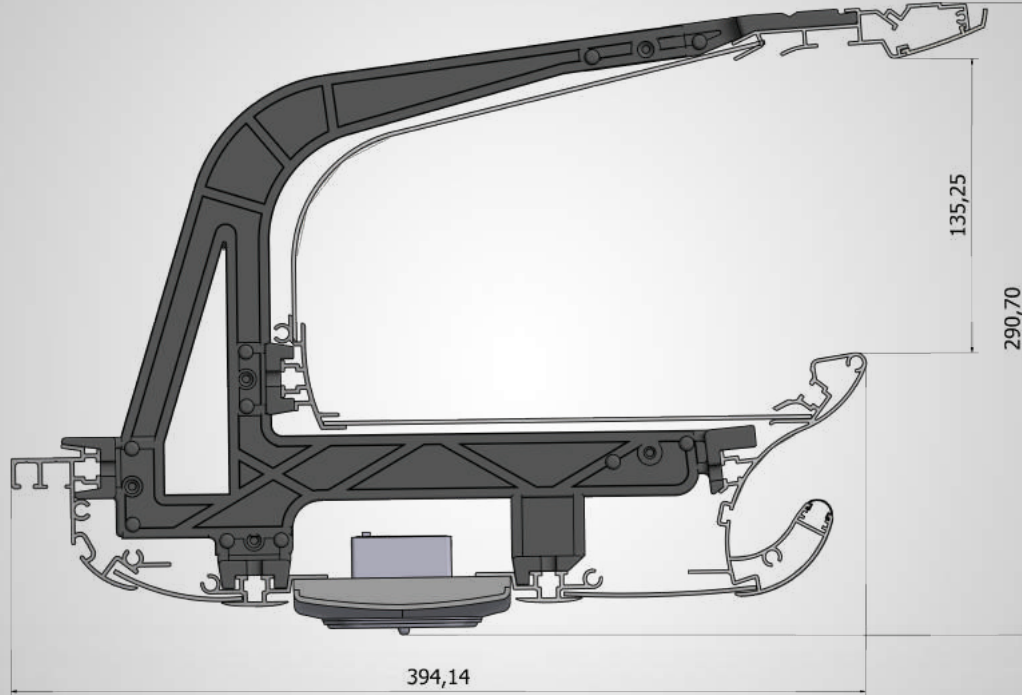


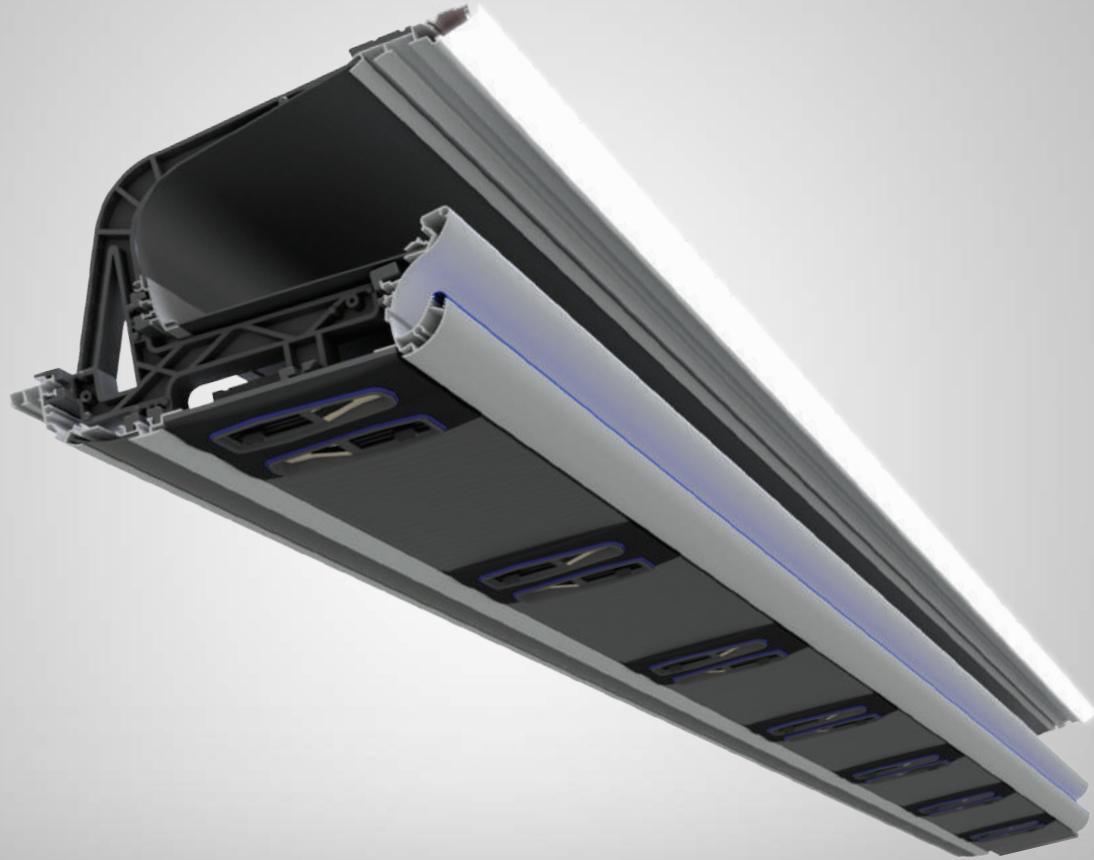
FLEXI LUX LUGGAGE RACK & AIR CHANNEL WITH JUNIOR SERVICE SETS



FLEXI LUX LUGGAGE RACK & AIR CHANNEL WITH JUNIOR SERVICE SETS



FLEXI LUX LUGGAGE RACK & AIR CHANNEL WITH DOUBLE CROSSED JUNIOR SERVICE SETS



FLEXI LUX LUGGAGE RACK & AIR CHANNEL WITH DOUBLE CROSSED JUNIOR SERVICE SETS

