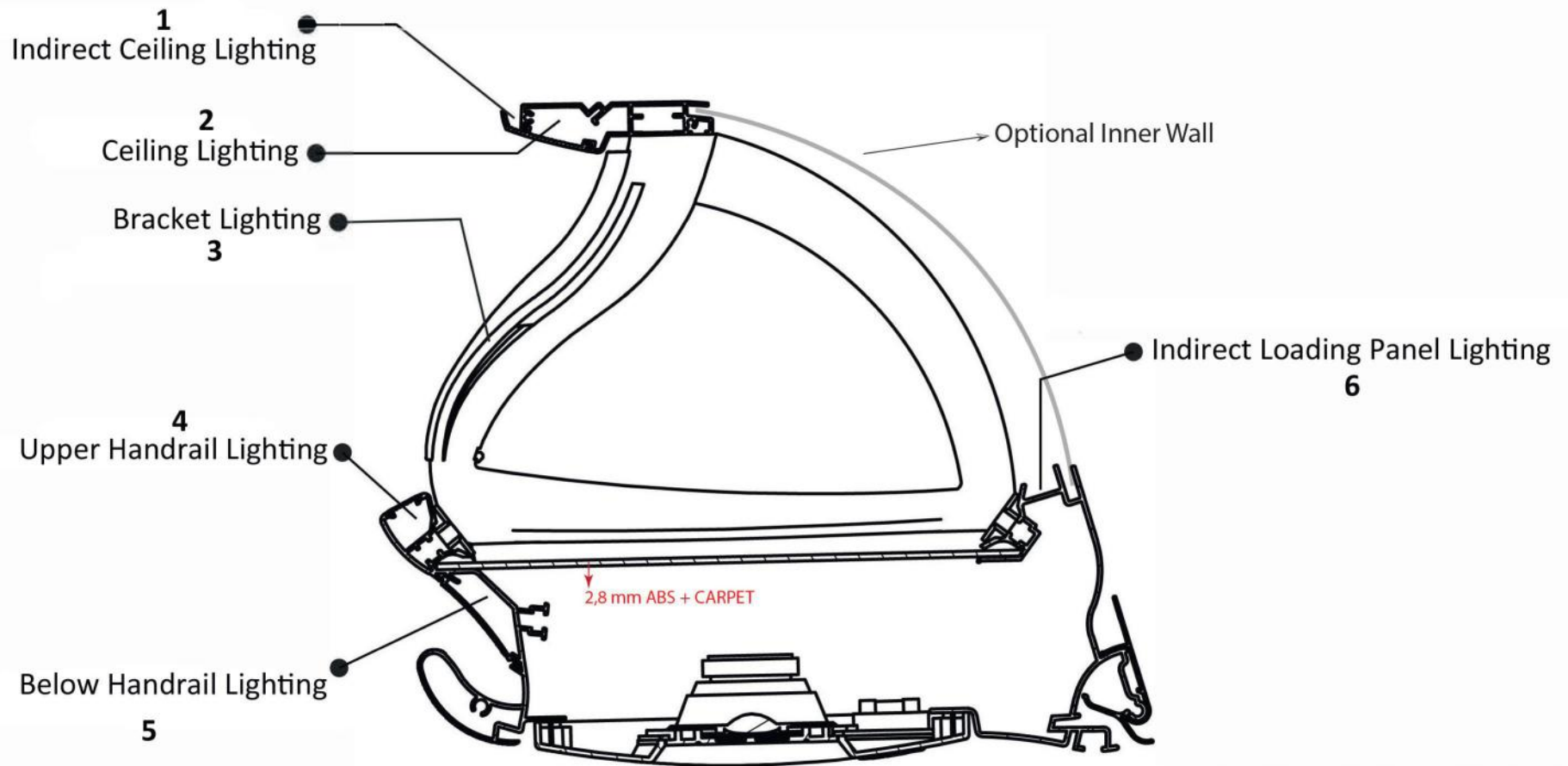


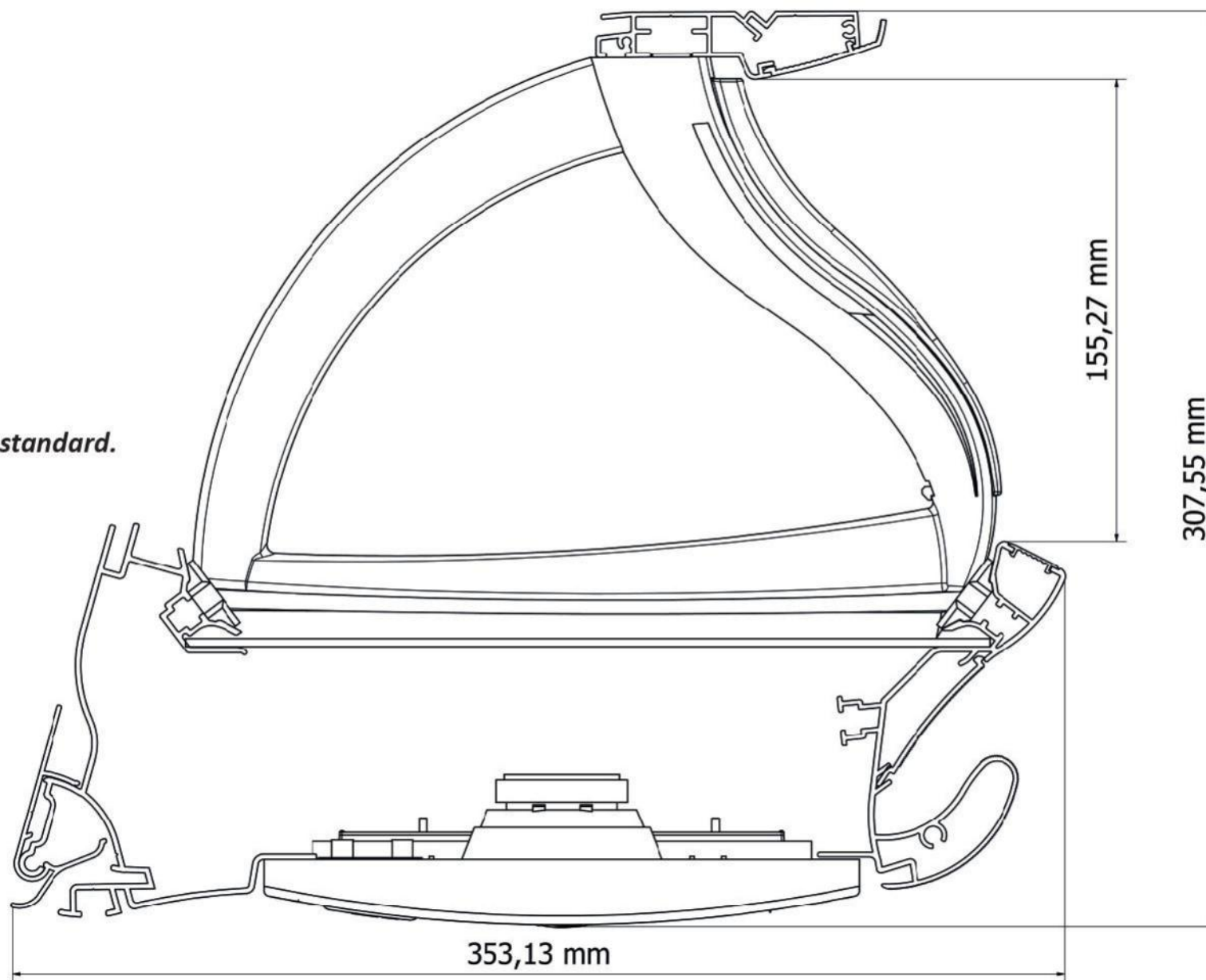
## HARMONY LUGGAGE RACK & AIR CHANNEL



## HARMONY LUGGAGE RACK & AIR CHANNEL Lighting Options



## HARMONY LUGGAGE RACK & AIR CHANNEL Dimensions



*All dimensions are standard.*



# HARMONY LUGGAGE RACK & AIR CHANNEL

Please fill in the following

## COLOUR OPTIONS

### PROFILE COLOUR OPTIONS;

ANODIZED GRAY  
BEIGE  
BLACK  
GRAY

### ABS COLOUR OPTIONS;

BEIGE : RAL 1015  
DARK BEIGE : RAL 1019  
GRAY : RAL 7035  
DARK GRAY : RAL 9023  
MID GRAY : RAL 7037  
BLACK : RAL 9005

### LED COLOUR OPTIONS;

WARM WHITE  
COOL WHITE  
ORANGE  
BLUE

### BRACKET CAP COLOUR OPTIONS;

BLUE  
ORANGE  
BLACK

### END CAP COLOUR OPTIONS;

ONLY IN BLACK

## PROFILE COLOUR

## TOTAL LENGTH

Left Side	<input type="text"/>	mm
-----------	----------------------	----

Right Side	<input type="text"/>	mm
------------	----------------------	----

## BRACKET COLOUR

Black	<input type="checkbox"/>
-------	--------------------------

Beige	<input type="checkbox"/>
-------	--------------------------

Mid Gray	<input type="checkbox"/>
----------	--------------------------

## BRACKET CAP COLOUR / BRACKET LIGHTING

YES	<input type="checkbox"/>	NO	<input type="checkbox"/>
-----	--------------------------	----	--------------------------

## LIGHTING OPTIONS

		LED STRIP COLOUR
1	Indirect Ceiling Lighting	<input type="text"/>
2	Ceiling Lighting	<input type="text"/>
3	Bracket Lighting	see above
4	Upper Handrail Lighting	<input type="text"/>
5	Below Handrail Lighting	<input type="text"/>
6	Indirect Loading Panel Lighting	<input type="text"/>

## FLAP OPTION

Yes	<input type="checkbox"/>
No	<input type="checkbox"/>

QUANTITY  
LEFT RIGHT

<input type="text"/>	<input type="text"/>
----------------------	----------------------

FLAP COLOUR

BLACK   
GRAY   
BEIGE

WOODEN COATED DESIGN

## SPACER TYPE

Elegant	Elliptic	Plain Single Layer	Plain Double Layer	Flat	Junior Spacer	Plexi Glass Design
---------	----------	--------------------	--------------------	------	---------------	--------------------

## SERVICE SET

Standard Intense	<input checked="" type="checkbox"/>	<input checked="" type="checkbox"/>	<input checked="" type="checkbox"/>	<input checked="" type="checkbox"/>	<input checked="" type="checkbox"/>	<input type="checkbox"/>	<input checked="" type="checkbox"/>
Luxury Intense	<input checked="" type="checkbox"/>	<input checked="" type="checkbox"/>	<input checked="" type="checkbox"/>	<input checked="" type="checkbox"/>	<input checked="" type="checkbox"/>	<input type="checkbox"/>	<input checked="" type="checkbox"/>
Standard Intense With Wheel Air Jets	<input checked="" type="checkbox"/>	<input checked="" type="checkbox"/>	<input checked="" type="checkbox"/>	<input checked="" type="checkbox"/>	<input checked="" type="checkbox"/>	<input type="checkbox"/>	<input checked="" type="checkbox"/>
Luxury Intense With Wheel Air Jets	<input checked="" type="checkbox"/>	<input checked="" type="checkbox"/>	<input checked="" type="checkbox"/>	<input checked="" type="checkbox"/>	<input checked="" type="checkbox"/>	<input type="checkbox"/>	<input checked="" type="checkbox"/>
Drops	<input checked="" type="checkbox"/>	<input checked="" type="checkbox"/>	<input checked="" type="checkbox"/>	<input checked="" type="checkbox"/>	<input type="checkbox"/>	<input type="checkbox"/>	<input type="checkbox"/>
Drops With Spot Light	<input checked="" type="checkbox"/>	<input checked="" type="checkbox"/>	<input checked="" type="checkbox"/>	<input checked="" type="checkbox"/>	<input type="checkbox"/>	<input type="checkbox"/>	<input type="checkbox"/>
Elegant	<input checked="" type="checkbox"/>	<input checked="" type="checkbox"/>	<input checked="" type="checkbox"/>	<input checked="" type="checkbox"/>	<input type="checkbox"/>	<input type="checkbox"/>	<input type="checkbox"/>
Junior	<input type="checkbox"/>	<input type="checkbox"/>	<input type="checkbox"/>	<input type="checkbox"/>	<input checked="" type="checkbox"/>	<input checked="" type="checkbox"/>	<input type="checkbox"/>

suitable to combine

## SERVICE SET TYPE

<input type="text"/>	LEFT <input type="text"/>	RIGHT <input type="text"/>
----------------------	---------------------------	----------------------------

## SPACER TYPE

<input type="text"/>	LEFT <input type="text"/>	RIGHT <input type="text"/>
----------------------	---------------------------	----------------------------

## ABS INNER WALL OPTION

Yes <input type="checkbox"/>	FABRIC COVER OPTION	Yes <input type="checkbox"/>	Contrast Colour <input type="checkbox"/>	Matching Colour <input type="checkbox"/>
No <input type="checkbox"/>		No <input type="checkbox"/>		ABS Colour Code: RAL.....

Thank you for choosing our products.