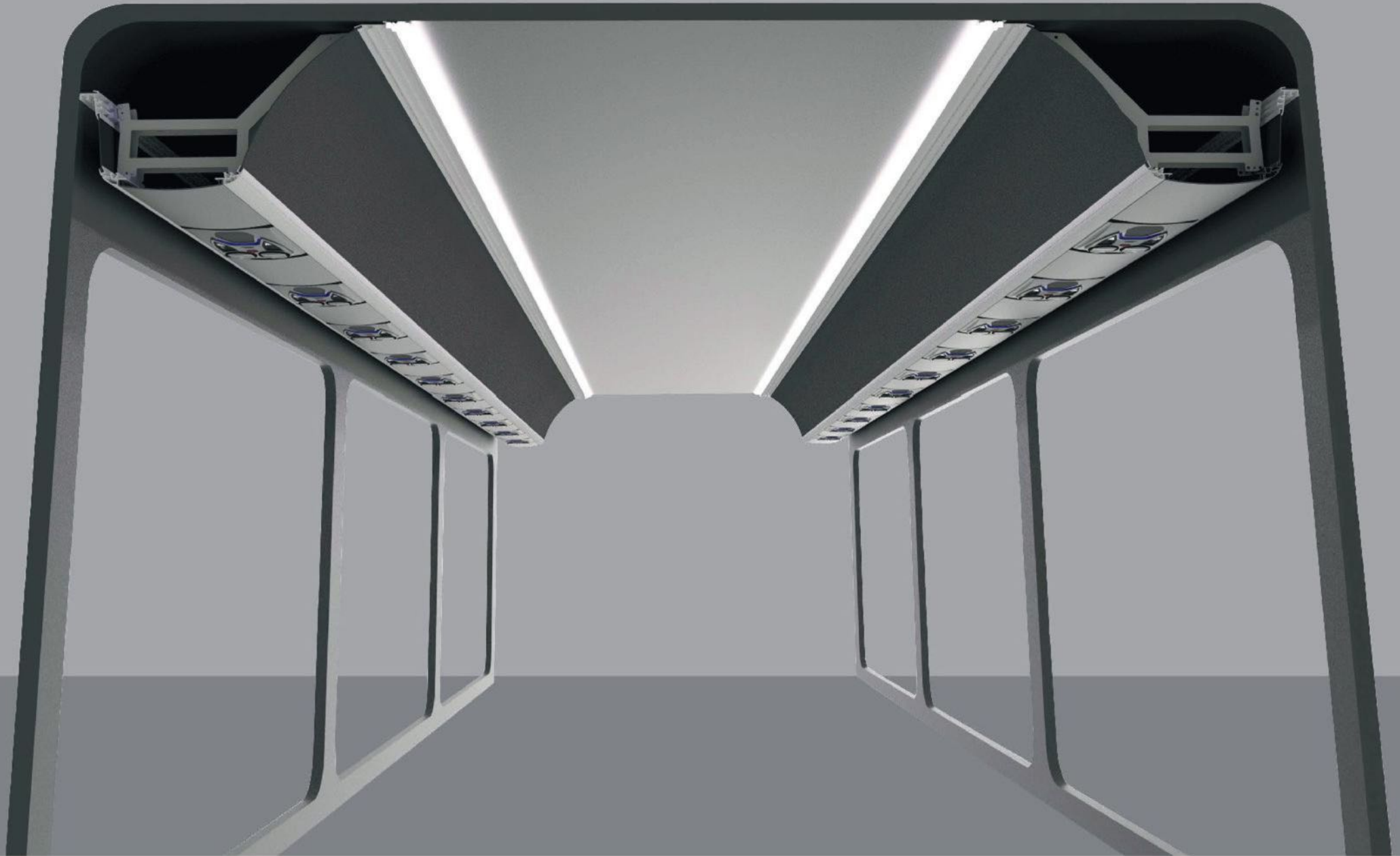
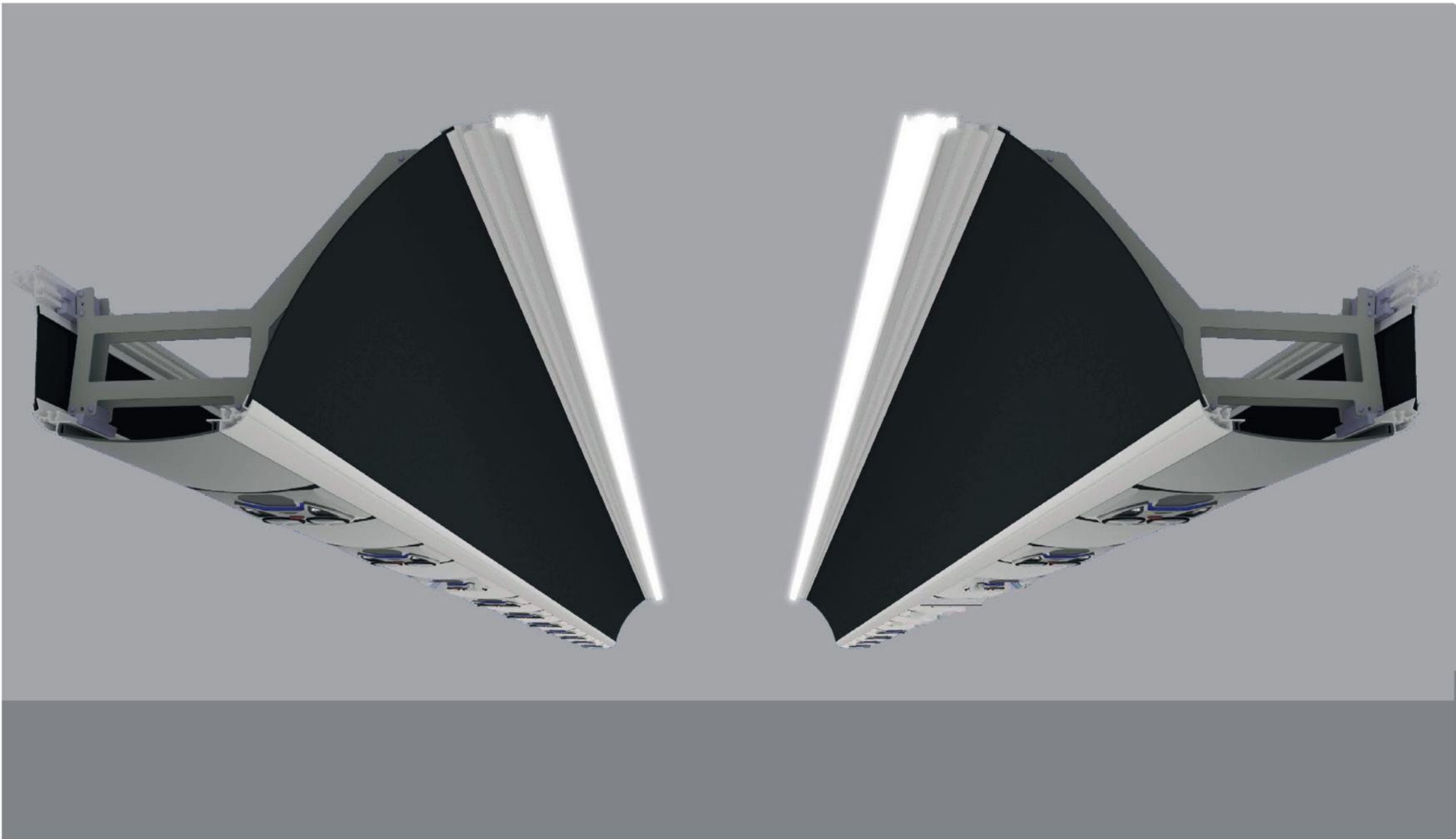


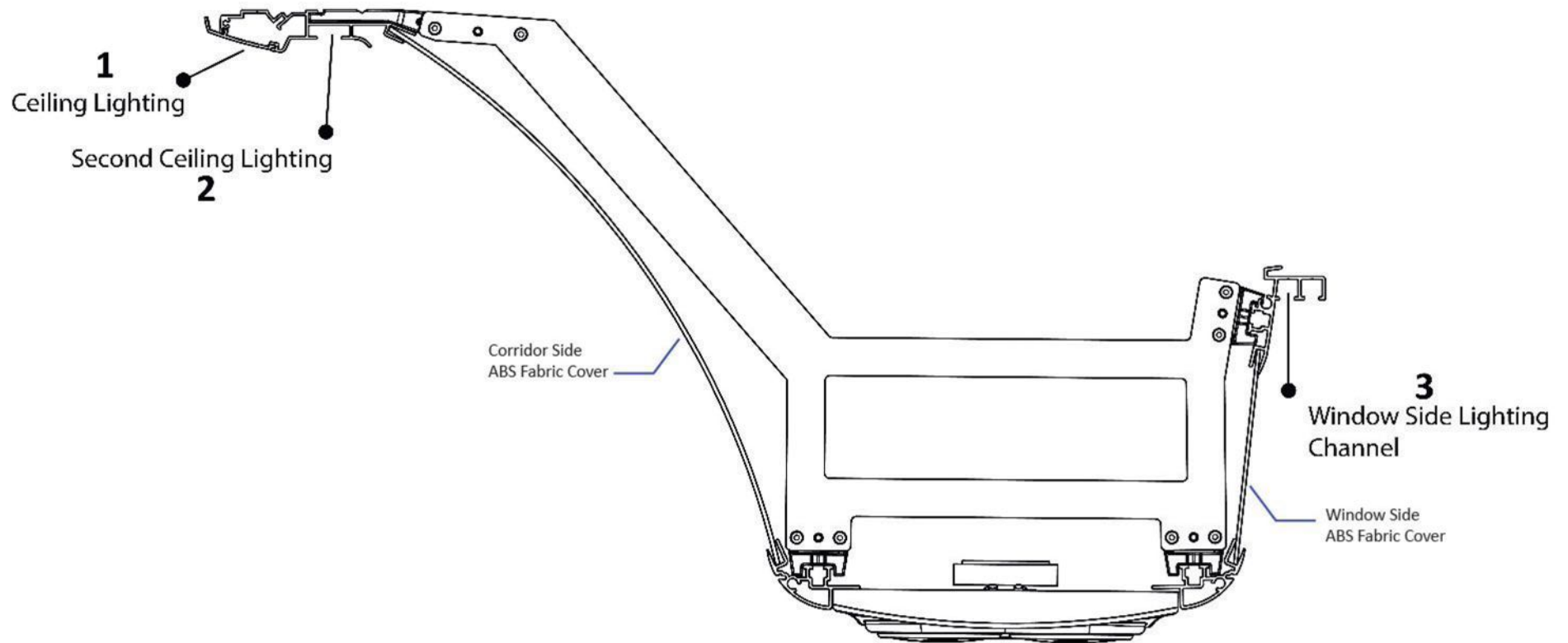
*SAVAGE AIR CHANNEL ONLY FOR COACHES*



*SAVAGE AIR CHANNEL ONLY FOR COACHES*

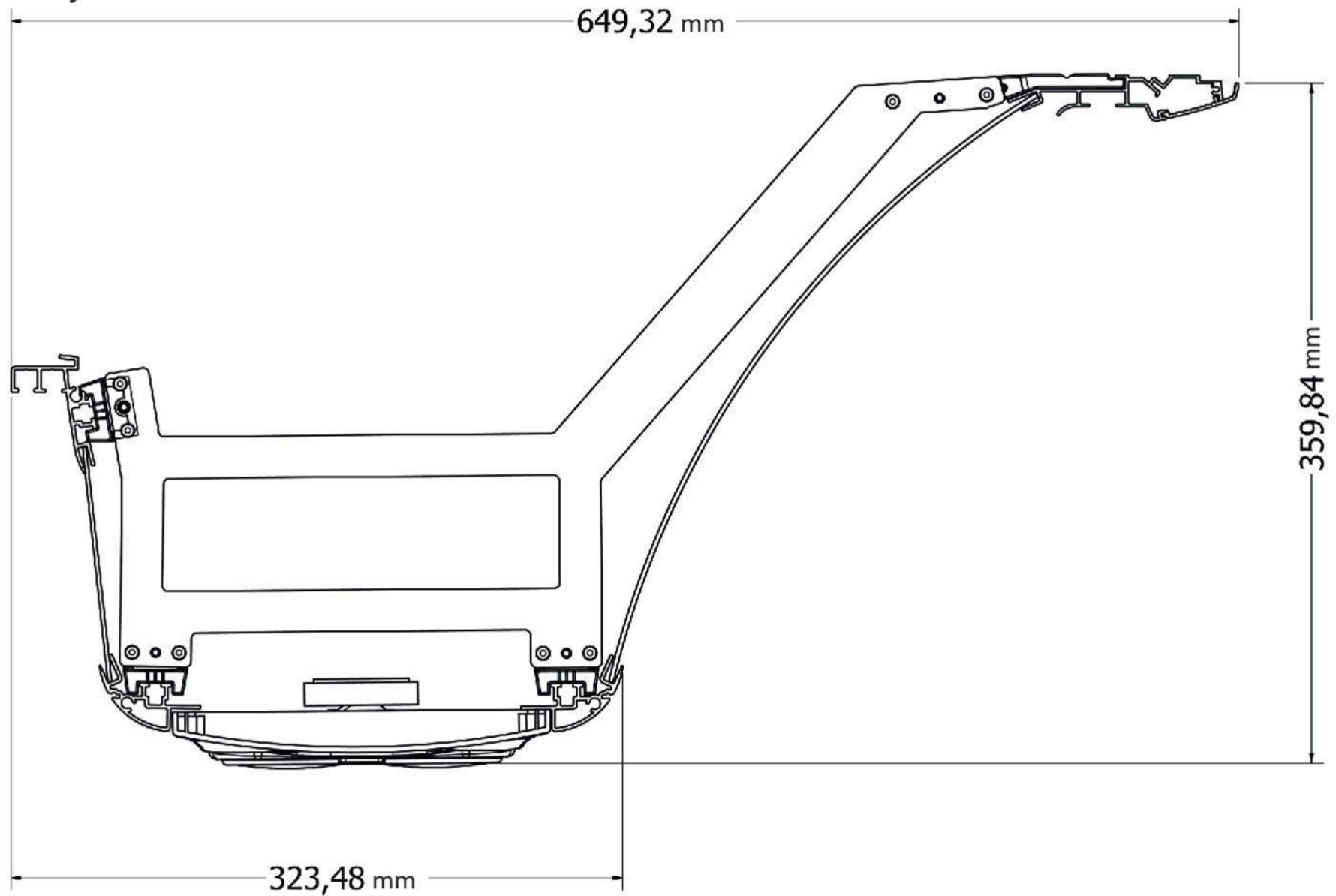


**SAVAGE AIR CHANNEL ONLY FOR COACHES**  
**Lighting Options**



**SAVAGE AIR CHANNEL ONLY FOR COACHES**  
*Dimensions*

*All dimensions are flexible.*



## SAVAGE AIR CHANNEL ONLY FOR COACHES

Please fill in the following

### COLOUR OPTIONS

#### PROFILE COLOUR OPTIONS;

ANODIZED GRAY  
BEIGE  
BLACK  
GRAY

#### ABS COLOUR OPTIONS;

BEIGE : RAL 1015  
DARK BEIGE : RAL 1019  
GRAY : RAL 7035  
DARK GRAY : RAL 9023  
MID GRAY : RAL 7037  
BLACK : RAL 9005

#### LED COLOUR OPTIONS;

WARM WHITE  
COOL WHITE  
ORANGE  
BLUE

#### END CAPS;

**NOT AVAILABLE FOR THIS PRODUCT**

### PROFILE COLOUR

### TOTAL LENGTH

Left Side	<input type="text"/>	mm
-----------	----------------------	----

Right Side	<input type="text"/>	mm
------------	----------------------	----

### LIGHTING OPTIONS

		LED STRIP COLOUR
1	Ceiling Lighting	<input type="text"/>
2	Second Ceiling Lighting	<input type="text"/>
3	Window Side Lighting Channel	<input type="text"/>

### CORRIDOR SIDE PANEL FABRIC COLOUR OPTION

Contrast	<input type="checkbox"/>
Matching	<input type="checkbox"/>

### WINDOW SIDE PANEL FABRIC COLOUR OPTION

Contrast	<input type="checkbox"/>
Matching	<input type="checkbox"/>

### SPACER TYPE

Elegant	Elliptic	Plain Single Layer	Plain Double Layer	Flat	Junior Spacer	Plexiglass Design
---------	----------	--------------------	--------------------	------	---------------	-------------------

### SERVICE SET

Standard Intense	<input checked="" type="checkbox"/>	<input checked="" type="checkbox"/>	<input checked="" type="checkbox"/>	<input checked="" type="checkbox"/>	<input checked="" type="checkbox"/>	<input type="checkbox"/>	<input checked="" type="checkbox"/>
Luxury Intense	<input checked="" type="checkbox"/>	<input checked="" type="checkbox"/>	<input checked="" type="checkbox"/>	<input checked="" type="checkbox"/>	<input checked="" type="checkbox"/>	<input type="checkbox"/>	<input checked="" type="checkbox"/>
Standard Intense With Wheel Air Jets	<input checked="" type="checkbox"/>	<input checked="" type="checkbox"/>	<input checked="" type="checkbox"/>	<input checked="" type="checkbox"/>	<input checked="" type="checkbox"/>	<input type="checkbox"/>	<input checked="" type="checkbox"/>
Luxury Intense With Wheel Air Jets	<input checked="" type="checkbox"/>	<input checked="" type="checkbox"/>	<input checked="" type="checkbox"/>	<input checked="" type="checkbox"/>	<input checked="" type="checkbox"/>	<input type="checkbox"/>	<input checked="" type="checkbox"/>
Drops	<input checked="" type="checkbox"/>	<input checked="" type="checkbox"/>	<input checked="" type="checkbox"/>	<input checked="" type="checkbox"/>	<input type="checkbox"/>	<input type="checkbox"/>	<input type="checkbox"/>
Drops With Spot Light	<input checked="" type="checkbox"/>	<input checked="" type="checkbox"/>	<input checked="" type="checkbox"/>	<input checked="" type="checkbox"/>	<input type="checkbox"/>	<input type="checkbox"/>	<input type="checkbox"/>
Elegant	<input checked="" type="checkbox"/>	<input checked="" type="checkbox"/>	<input checked="" type="checkbox"/>	<input checked="" type="checkbox"/>	<input type="checkbox"/>	<input type="checkbox"/>	<input type="checkbox"/>
Junior	<input type="checkbox"/>	<input type="checkbox"/>	<input type="checkbox"/>	<input type="checkbox"/>	<input checked="" type="checkbox"/>	<input checked="" type="checkbox"/>	<input type="checkbox"/>

suitable to combine

### SERVICE SET

	QUANTITY	
	LEFT	RIGHT
<input type="text"/>	<input type="text"/>	<input type="text"/>
SPACER TYPE	<input type="text"/>	<input type="text"/>

Thank you for choosing our products.