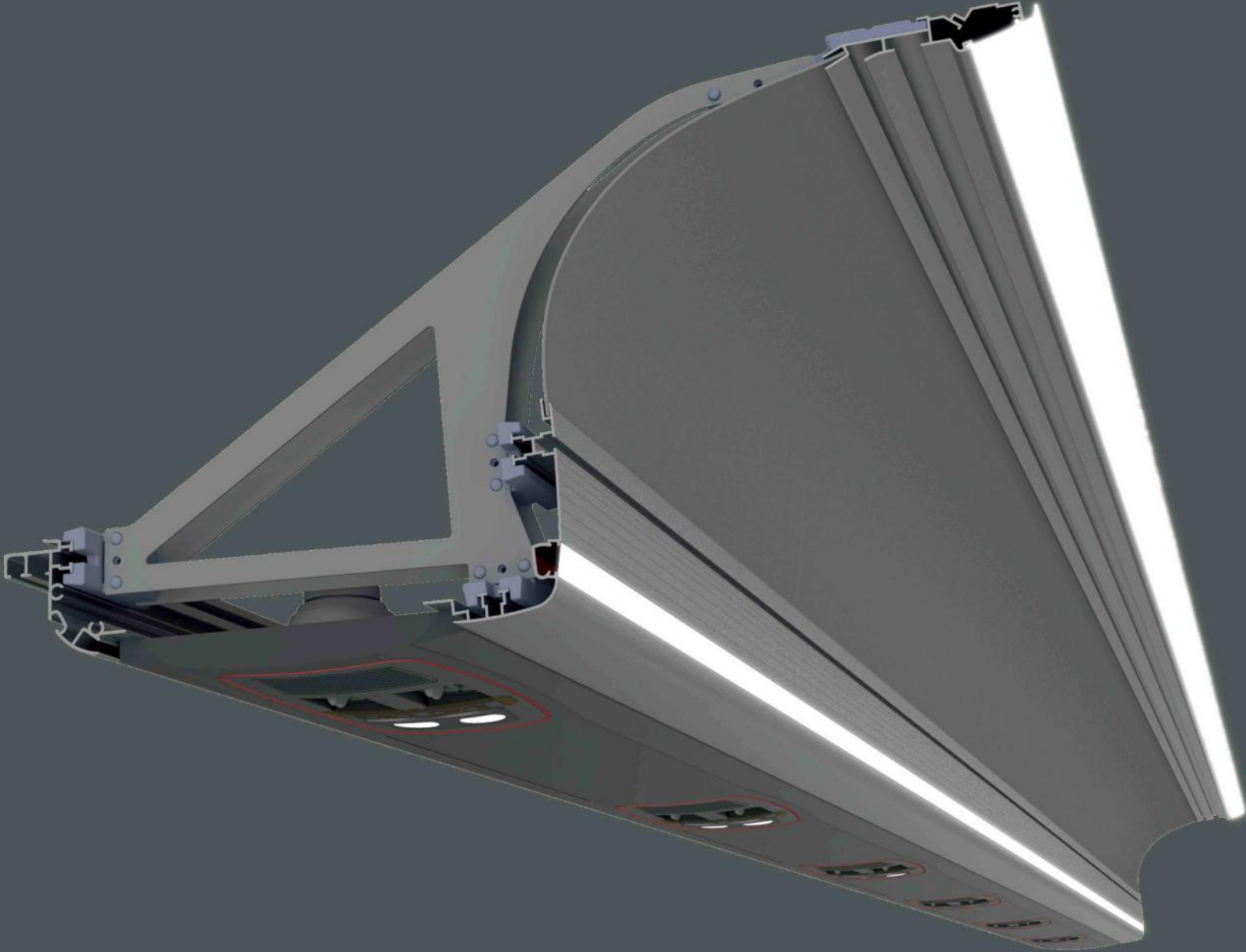


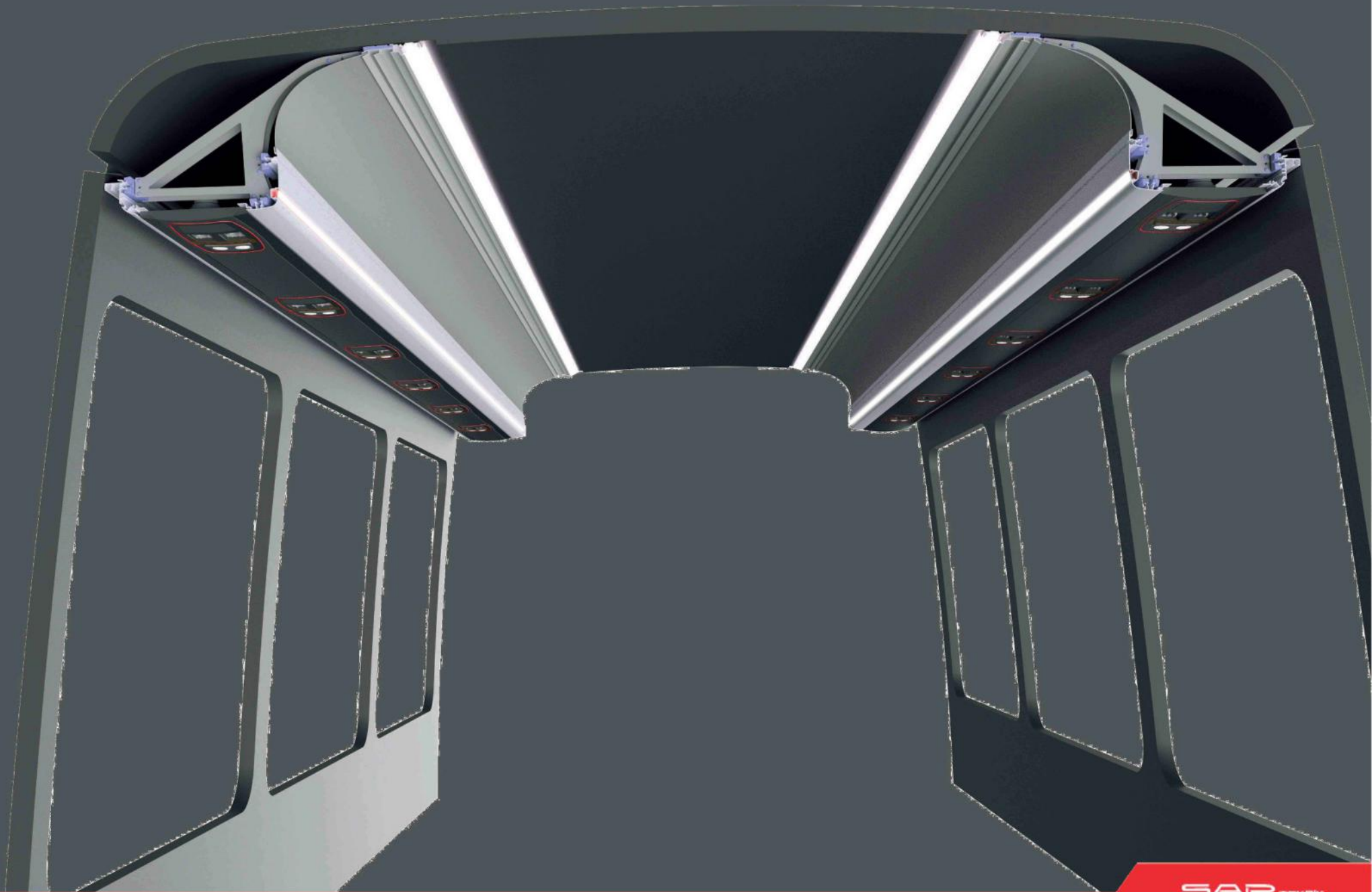
**TRANSFORMER LUGGAGE RACK & AIR CHANNEL
&
TRANSFORMER AIR CHANNEL**



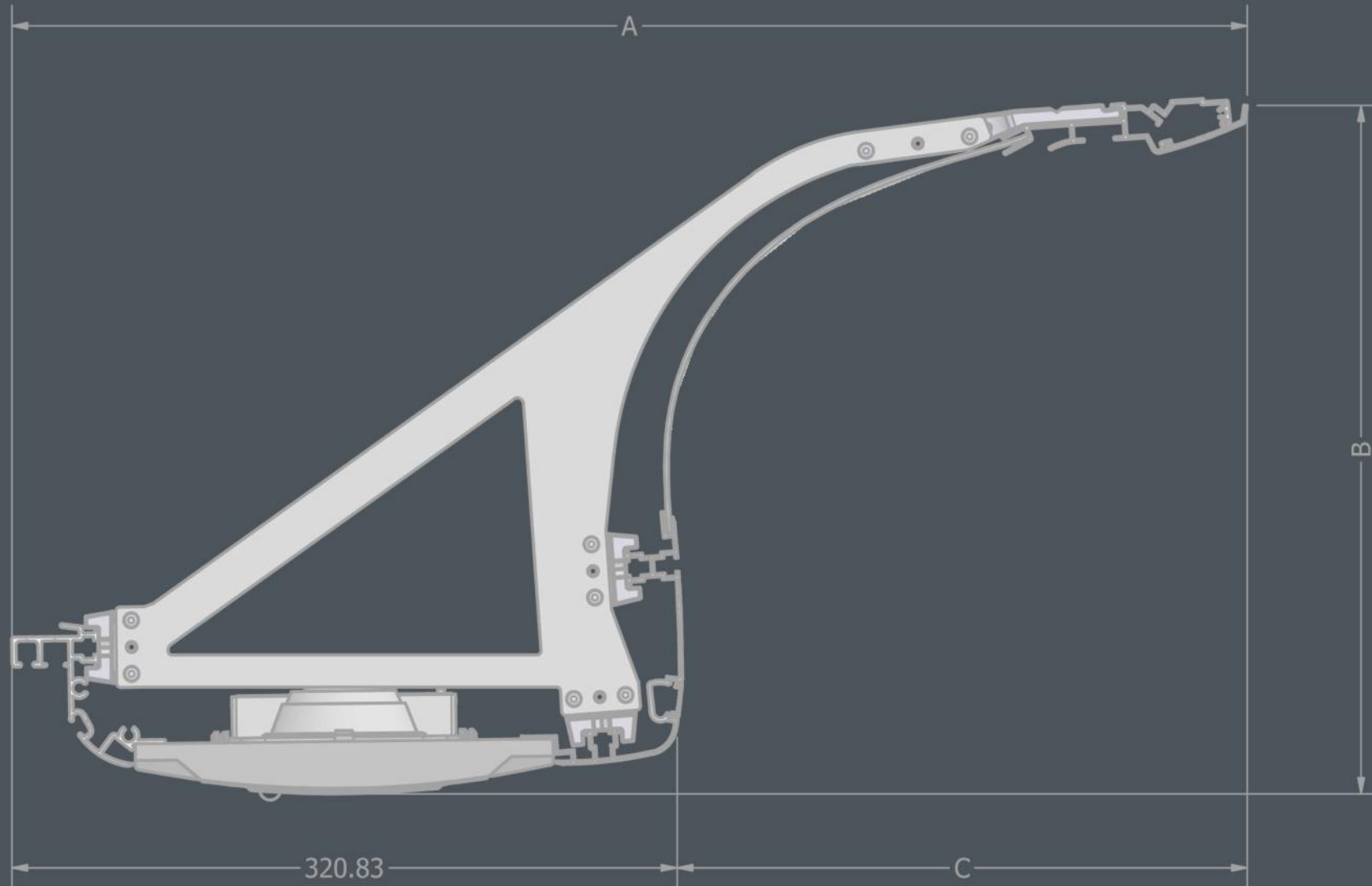
TRANSFORMER AIR CHANNEL



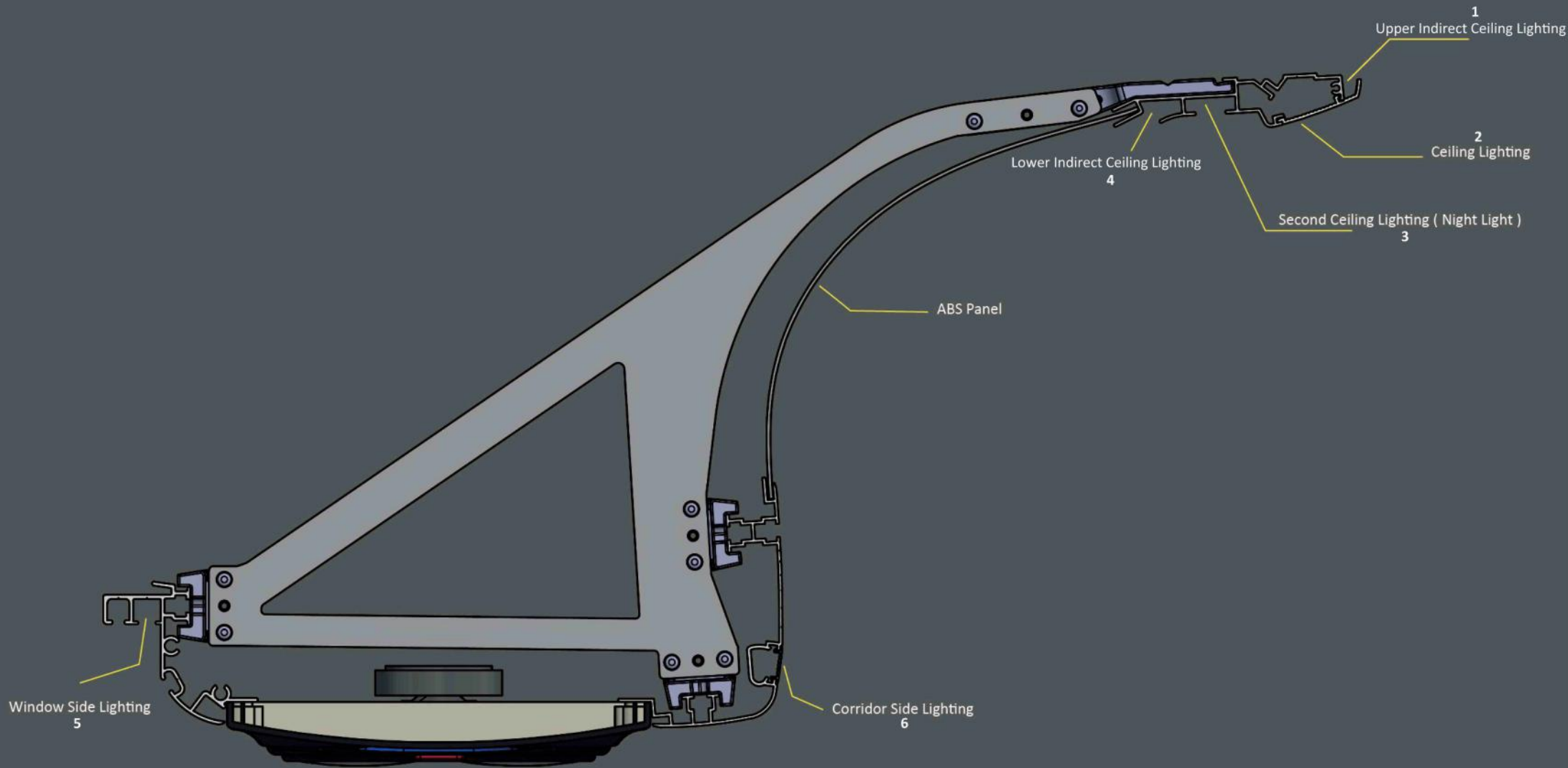
TRANSFORMER AIR CHANNEL



TRANSFORMER AIR CHANNEL



TRANSFORMER AIR CHANNEL



TRANSFORMER AIR CHANNEL

Please fill in the following

COLOURS

PROFILE COLOUR OPTIONS ;

ANODIZED
BEIGE
BLACK
GRAY

PLASTIC ABS COLOUR CODES ;

BEIGE : RAL 1015
DARK BEIGE : RAL 1019
GRAY : RAL 7035
DARK GRAY : RAL 9023
MID GRAY : RAL 7037
BLACK : RAL 9005

LED COLOUR OPTIONS ;

WARM WHITE
COOL WHITE
ORANGE
BLUE

END CAP;

NOT AVAILABLE FOR THIS PRODUCT.

PROFILE COLOUR

TOTAL LENGTH

Left Side	<input type="text"/>	mm
-----------	----------------------	----

Right Side	<input type="text"/>	mm
------------	----------------------	----

LIGHTING OPTIONS

		LED STRIP COLOUR
1	Upper Indirect Ceiling Lighting	<input type="text"/>
2	Ceiling Lighting	<input type="text"/>
3	Second Ceiling Lighting (Night Light)	<input type="text"/>
4	Lower Indirect Ceiling Lighting	<input type="text"/>
5	Corridor Side Slim Line Lighting	<input type="text"/>
6	Window Side Slim Line Lighting	<input type="text"/>

ABS PANEL COLOUR

ABS PANEL FABRIC OPTION

Yes	<input type="checkbox"/>
-----	--------------------------

No	<input type="checkbox"/>
----	--------------------------

ABS PANEL FABRIC COLOUR

Contrast	<input type="checkbox"/>
----------	--------------------------

Matching	<input type="checkbox"/>
----------	--------------------------

Please select service set & spacer type. Etc.

SPACER TYPE

Elegant	Elliptic	Plain Single Layer	Plain Double Layer	Flat	Junior Spacer	Plexiglass Design
---------	----------	--------------------	--------------------	------	---------------	-------------------

SERVICE SET

Standard Intense	<input checked="" type="checkbox"/>	<input checked="" type="checkbox"/>	<input checked="" type="checkbox"/>	<input checked="" type="checkbox"/>	<input checked="" type="checkbox"/>	<input type="checkbox"/>	<input checked="" type="checkbox"/>
Luxury Intense	<input checked="" type="checkbox"/>	<input checked="" type="checkbox"/>	<input checked="" type="checkbox"/>	<input checked="" type="checkbox"/>	<input checked="" type="checkbox"/>	<input type="checkbox"/>	<input checked="" type="checkbox"/>
Standard Intense With Wheel Air Jets	<input checked="" type="checkbox"/>	<input checked="" type="checkbox"/>	<input checked="" type="checkbox"/>	<input checked="" type="checkbox"/>	<input checked="" type="checkbox"/>	<input type="checkbox"/>	<input checked="" type="checkbox"/>
Luxury Intense With Wheel Air Jets	<input checked="" type="checkbox"/>	<input checked="" type="checkbox"/>	<input checked="" type="checkbox"/>	<input checked="" type="checkbox"/>	<input checked="" type="checkbox"/>	<input type="checkbox"/>	<input checked="" type="checkbox"/>
Drops	<input checked="" type="checkbox"/>	<input checked="" type="checkbox"/>	<input checked="" type="checkbox"/>	<input checked="" type="checkbox"/>	<input type="checkbox"/>	<input type="checkbox"/>	<input type="checkbox"/>
Drops With Spot Light	<input checked="" type="checkbox"/>	<input checked="" type="checkbox"/>	<input checked="" type="checkbox"/>	<input checked="" type="checkbox"/>	<input type="checkbox"/>	<input type="checkbox"/>	<input type="checkbox"/>
Elegant	<input checked="" type="checkbox"/>	<input checked="" type="checkbox"/>	<input checked="" type="checkbox"/>	<input checked="" type="checkbox"/>	<input type="checkbox"/>	<input type="checkbox"/>	<input type="checkbox"/>
Junior	<input type="checkbox"/>	<input type="checkbox"/>	<input type="checkbox"/>	<input type="checkbox"/>	<input checked="" type="checkbox"/>	<input checked="" type="checkbox"/>	<input type="checkbox"/>

suitable to combine

SERVICE SET COLOUR

QUANTITY

LEFT	RIGHT
<input type="text"/>	<input type="text"/>

SPACER COLOUR

<input type="text"/>	<input type="text"/>
----------------------	----------------------

Thank you for choosing our products.