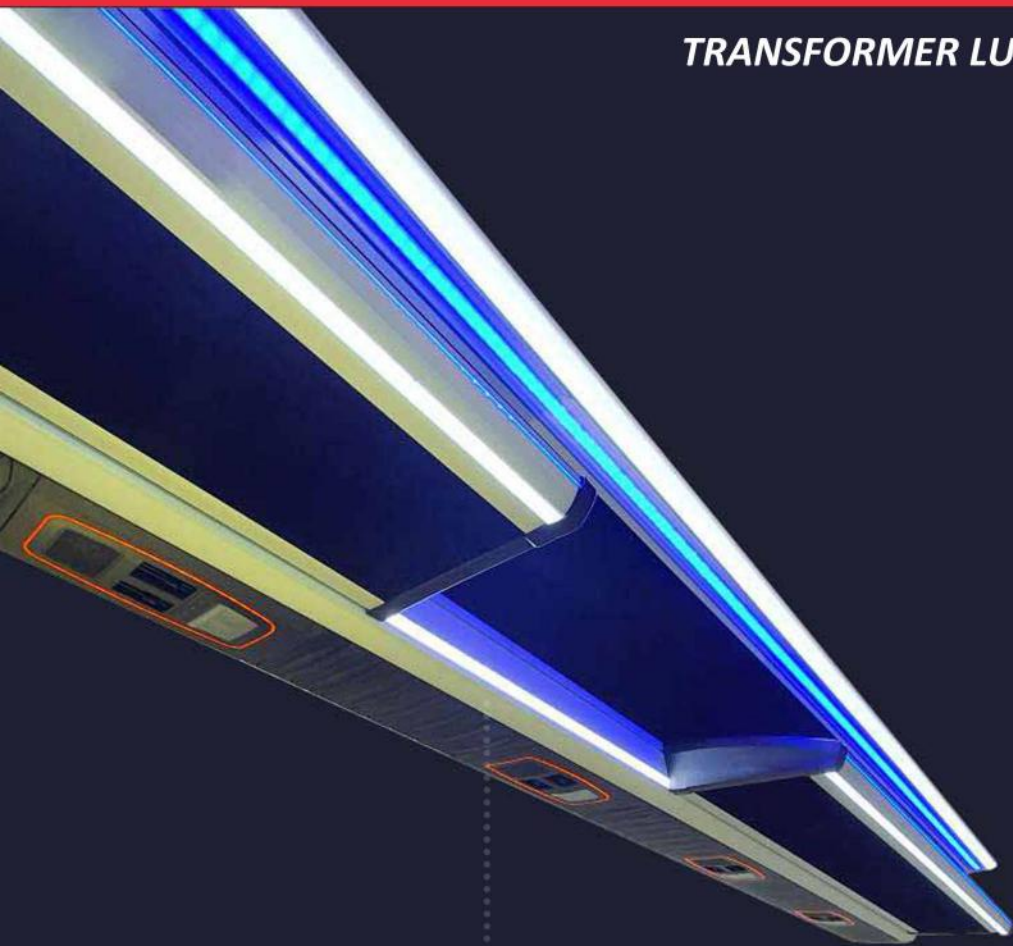


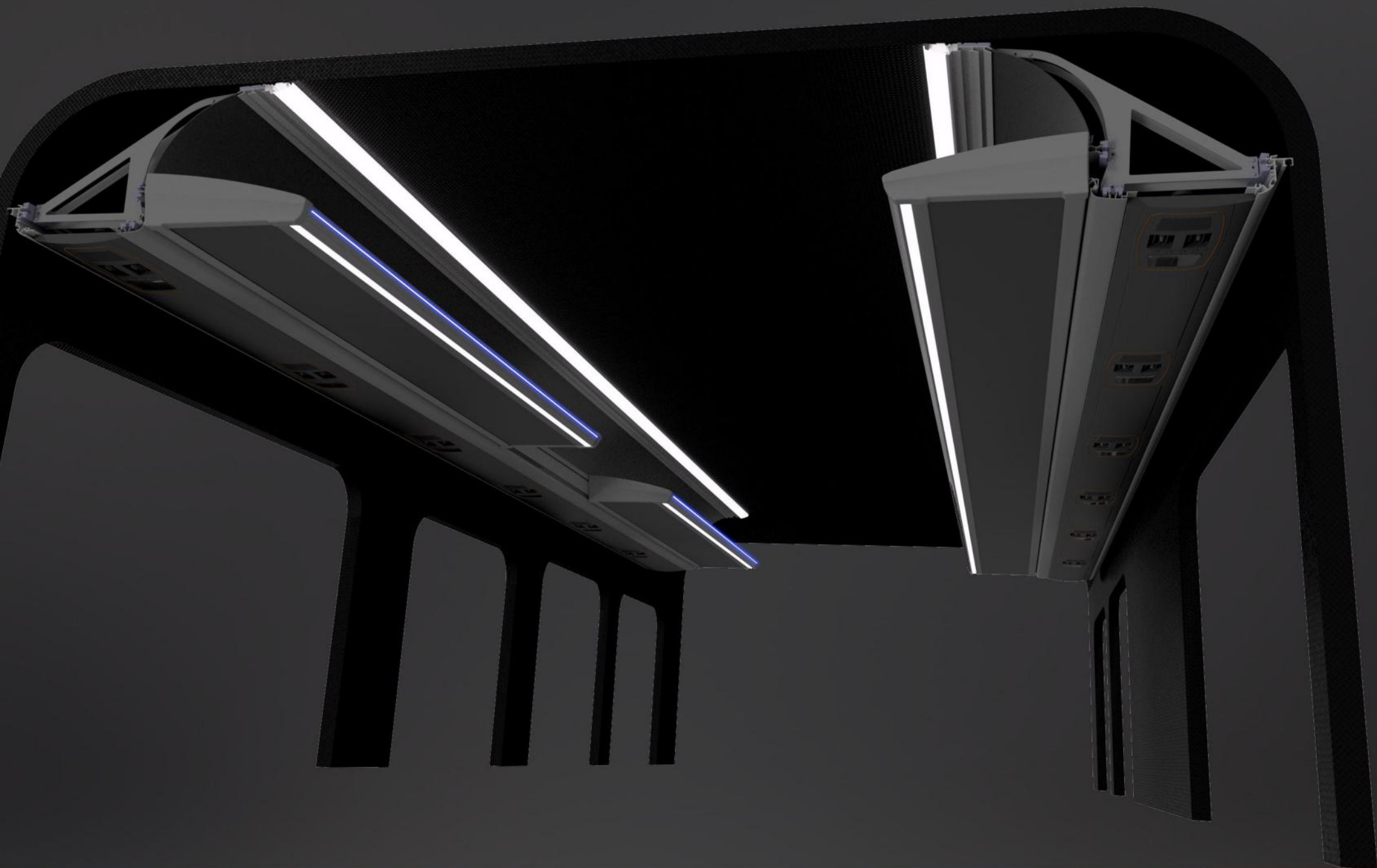
TRANSFORMER LUGGAGE RACK & AIR CHANNEL



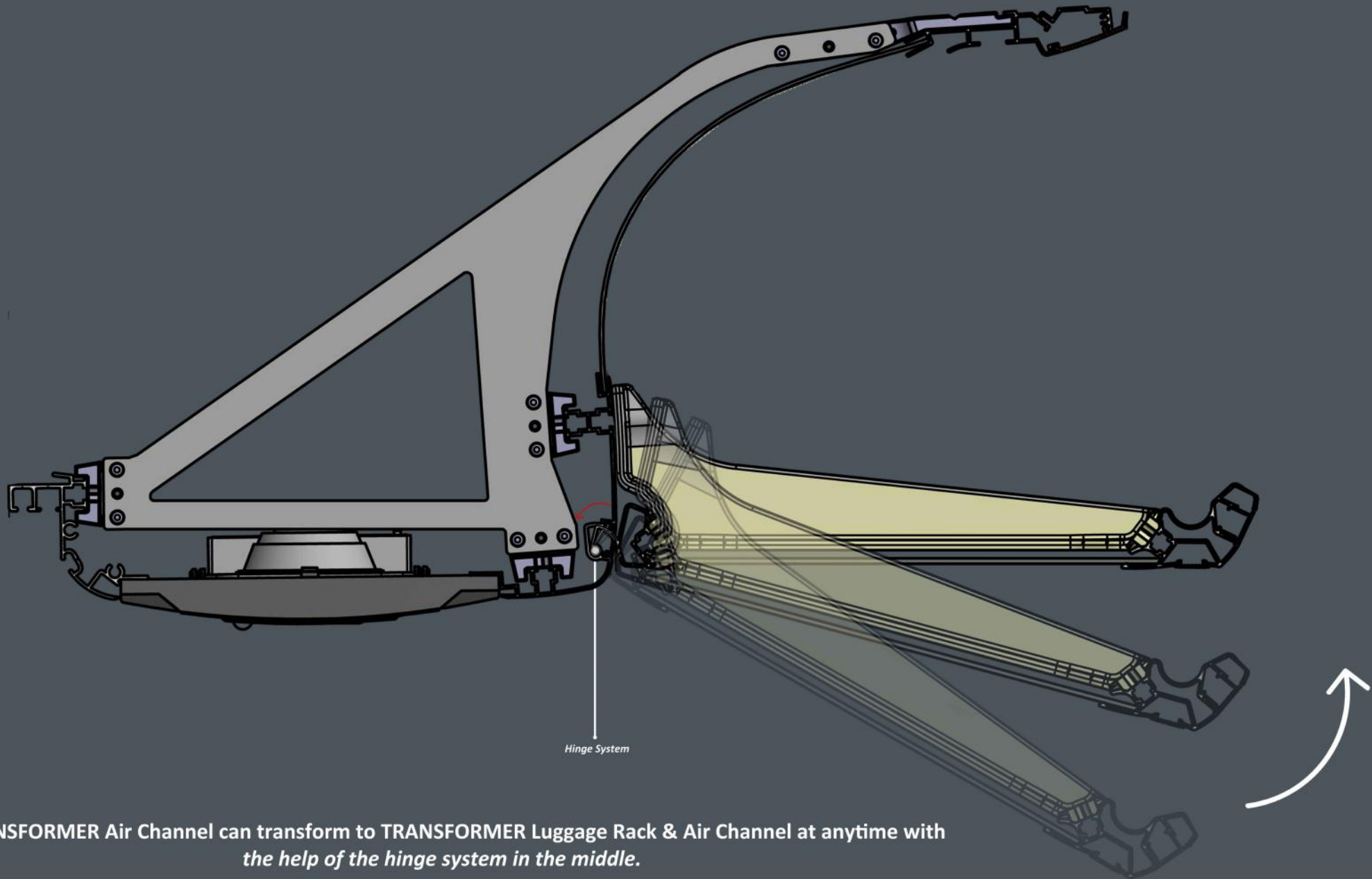
Overdoor detail



TRANSFORMER LUGGAGE RACK & AIR CHANNEL

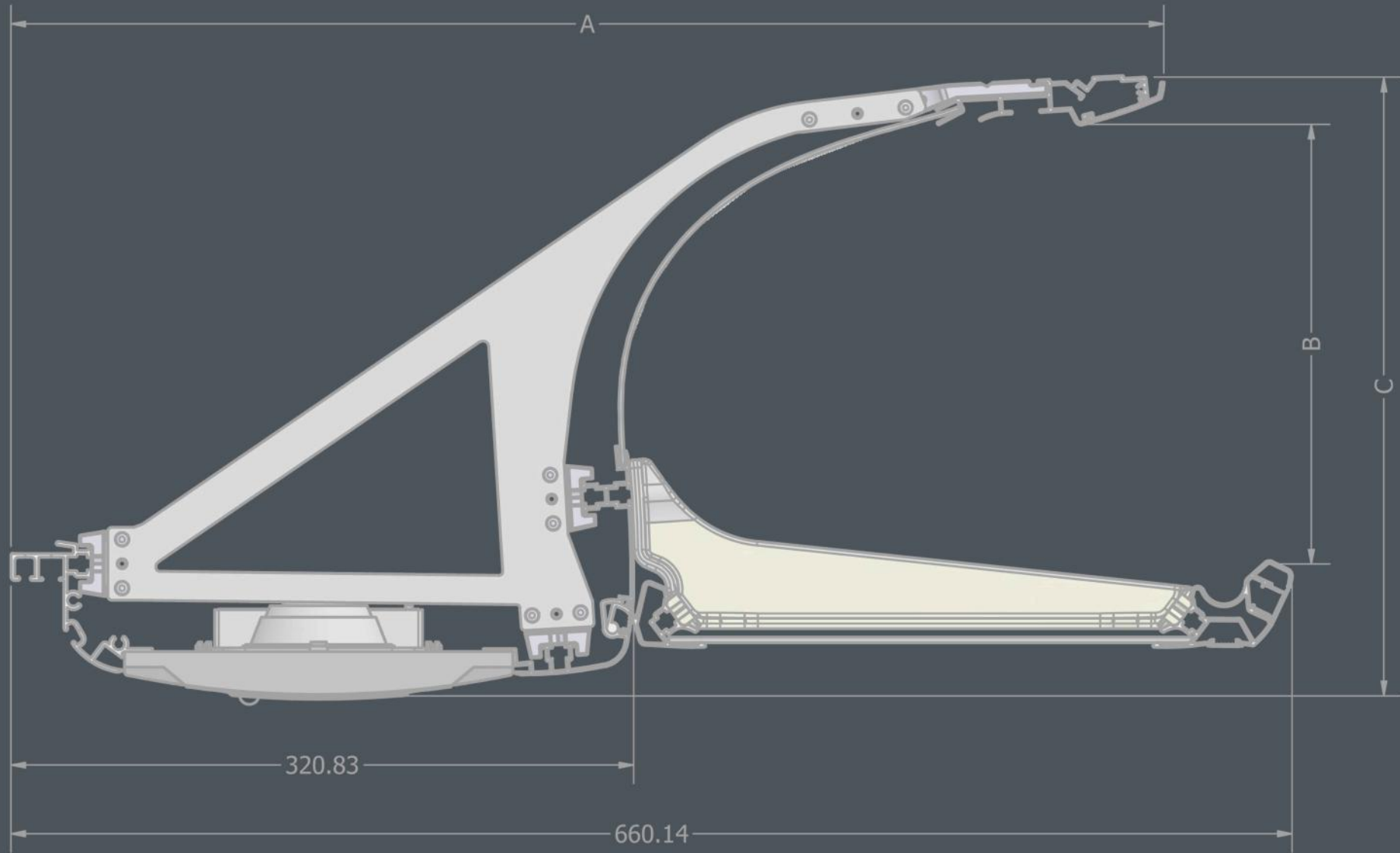


MOUNTING THE LUGGAGE RACK SEPARATELY

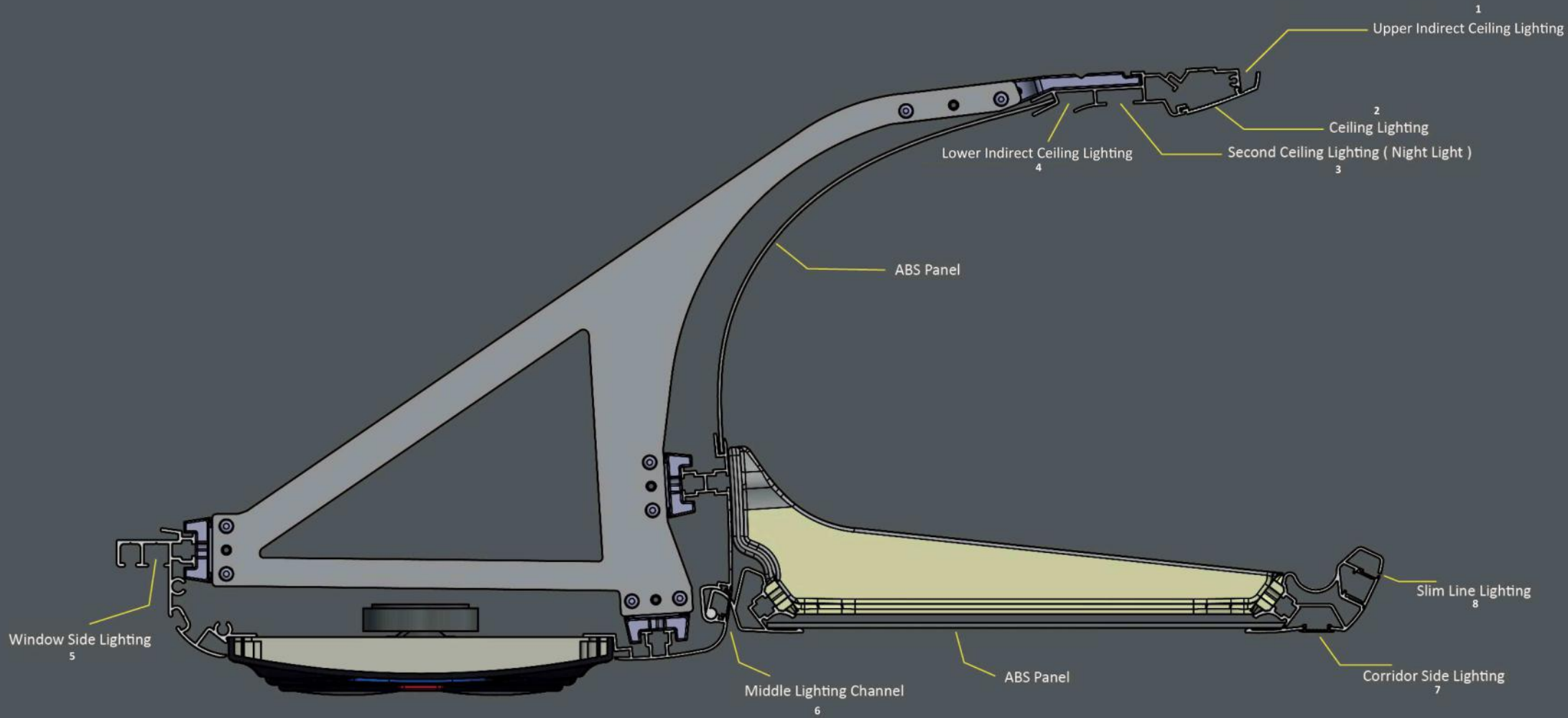


***TRANSFORMER Air Channel can transform to TRANSFORMER Luggage Rack & Air Channel at anytime with the help of the hinge system in the middle.**

TRANSFORMER LUGGAGE RACK & AIR CHANNEL



TRANSFORMER LUGGAGE RACK & AIR CHANNEL



TRANSFORMER LUGGAGE RACK & AIR CHANNEL

Please fill in the following

COLOURS

PROFILE COLOUR OPTIONS ;

ANODIZED
BEIGE
BLACK
GRAY

PLASTIC ABS COLOUR CODES ;

BEIGE : RAL 1015
DARK BEIGE : RAL 1019
GRAY : RAL 7035
DARK GRAY : RAL 9023
MID GRAY : RAL 7037
BLACK : RAL 9005

LED COLOUR OPTIONS ;

WARM WHITE
COOL WHITE
ORANGE
BLUE

END CAP;

NOT AVAILABLE FOR THIS PRODUCT.

PROFILE COLOUR

TOTAL LENGTH

Left Side	<input type="text"/>	mm
-----------	----------------------	----

Right Side	<input type="text"/>	mm
------------	----------------------	----

LIGHTING OPTIONS

		LED STRIP COLOUR
1	Upper Indirect Ceiling Lighting	<input type="text"/>
2	Ceiling Lighting	<input type="text"/>
3	Second Ceiling Lighting (Night Light)	<input type="text"/>
4	Lower Indirect Ceiling Lighting	<input type="text"/>
5	Window Side Slim Line Lighting	<input type="text"/>
6	Middle Lighting Channel	<input type="text"/>
7	Corridor Side Lighting	<input type="text"/>
8	Slim Line Lighting	<input type="text"/>

ABS PANEL COLOUR

ABS PANEL OPTION

Yes	<input type="checkbox"/>
-----	--------------------------

No	<input type="checkbox"/>
----	--------------------------

ABS PANEL COLOUR

Contrast	<input type="checkbox"/>
----------	--------------------------

Matching	<input type="checkbox"/>
----------	--------------------------

Please select service set
& spacer type. Etc.

SPACER TYPE

Elegant	Elliptic	Plain Single Layer	Plain Double Layer	Flat	Junior Spacer	Plexiglass Design
---------	----------	--------------------	--------------------	------	---------------	-------------------

SERVICE SET

Standard Intense	<input checked="" type="checkbox"/>	<input checked="" type="checkbox"/>	<input checked="" type="checkbox"/>	<input checked="" type="checkbox"/>	<input checked="" type="checkbox"/>	<input type="checkbox"/>	<input checked="" type="checkbox"/>
Luxury Intense	<input checked="" type="checkbox"/>	<input checked="" type="checkbox"/>	<input checked="" type="checkbox"/>	<input checked="" type="checkbox"/>	<input checked="" type="checkbox"/>	<input type="checkbox"/>	<input checked="" type="checkbox"/>
Standard Intense With Wheel Air Jets	<input checked="" type="checkbox"/>	<input checked="" type="checkbox"/>	<input checked="" type="checkbox"/>	<input checked="" type="checkbox"/>	<input checked="" type="checkbox"/>	<input type="checkbox"/>	<input checked="" type="checkbox"/>
Luxury Intense With Wheel Air Jets	<input checked="" type="checkbox"/>	<input checked="" type="checkbox"/>	<input checked="" type="checkbox"/>	<input checked="" type="checkbox"/>	<input checked="" type="checkbox"/>	<input type="checkbox"/>	<input checked="" type="checkbox"/>
Drops	<input checked="" type="checkbox"/>	<input checked="" type="checkbox"/>	<input checked="" type="checkbox"/>	<input checked="" type="checkbox"/>	<input type="checkbox"/>	<input type="checkbox"/>	<input type="checkbox"/>
Drops With Spot Light	<input checked="" type="checkbox"/>	<input checked="" type="checkbox"/>	<input checked="" type="checkbox"/>	<input checked="" type="checkbox"/>	<input type="checkbox"/>	<input type="checkbox"/>	<input type="checkbox"/>
Elegant	<input checked="" type="checkbox"/>	<input checked="" type="checkbox"/>	<input checked="" type="checkbox"/>	<input checked="" type="checkbox"/>	<input type="checkbox"/>	<input type="checkbox"/>	<input type="checkbox"/>
Junior	<input type="checkbox"/>	<input type="checkbox"/>	<input type="checkbox"/>	<input type="checkbox"/>	<input checked="" type="checkbox"/>	<input checked="" type="checkbox"/>	<input type="checkbox"/>

suitable to combine

SERVICE SET COLOUR

<input type="text"/>	<table border="1"> <tr> <th colspan="2">QUANTITY</th> </tr> <tr> <td>LEFT</td> <td>RIGHT</td> </tr> </table>		QUANTITY		LEFT	RIGHT
QUANTITY						
LEFT	RIGHT					

SPACER COLOUR

<input type="text"/>	<table border="1"> <tr> <td><input type="text"/></td> <td><input type="text"/></td> </tr> </table>		<input type="text"/>	<input type="text"/>
<input type="text"/>	<input type="text"/>			

Thank you for choosing our products.