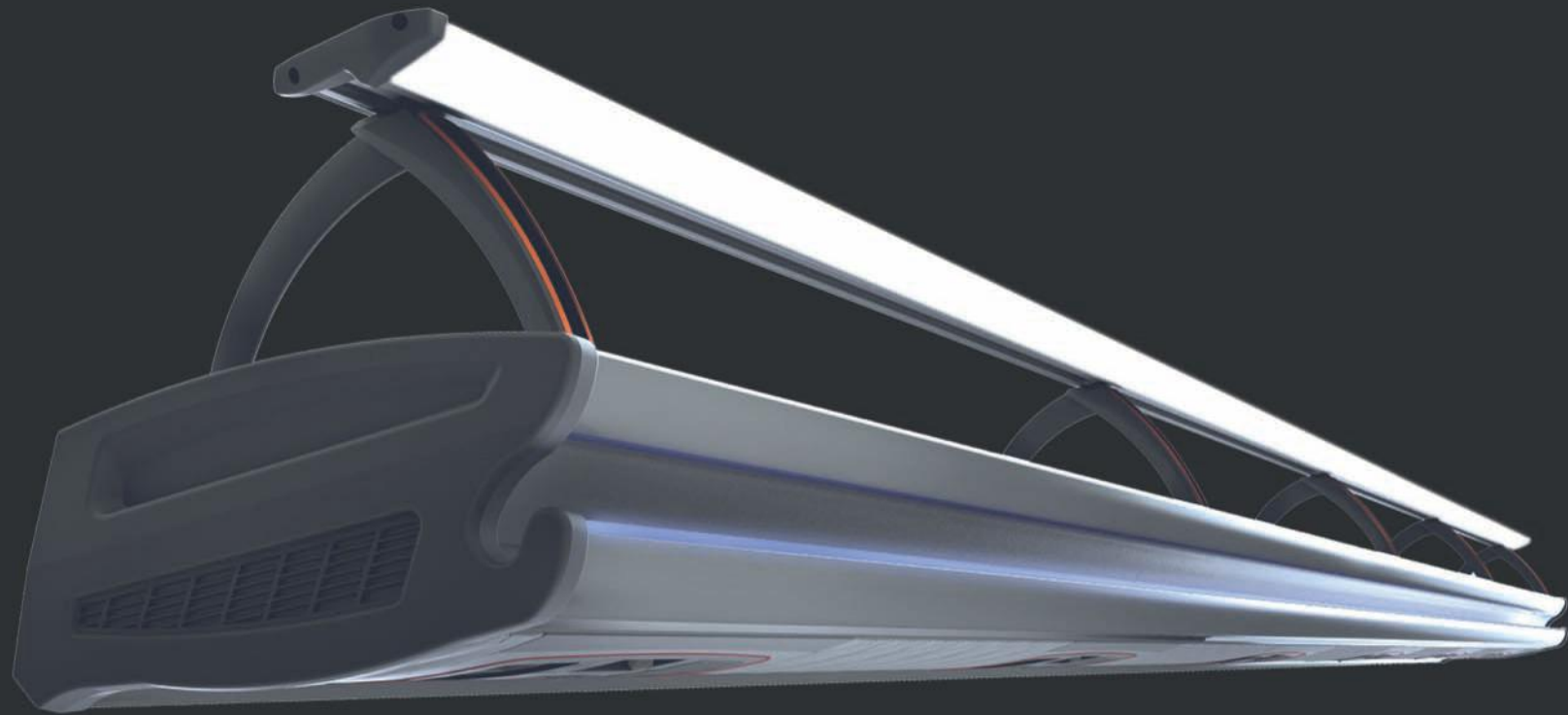
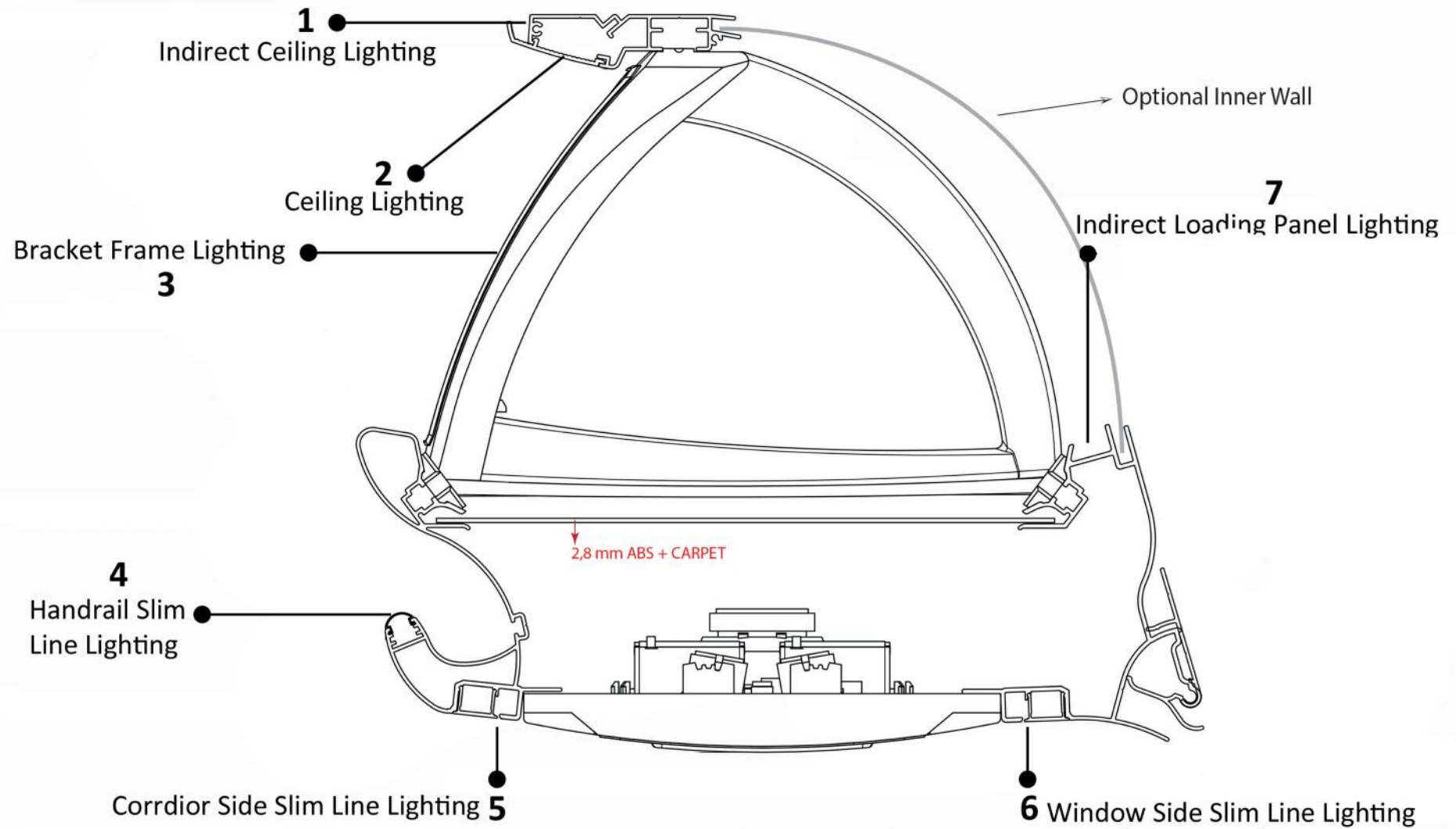


ZENITH LUGGAGE RACK & AIR CHANNEL



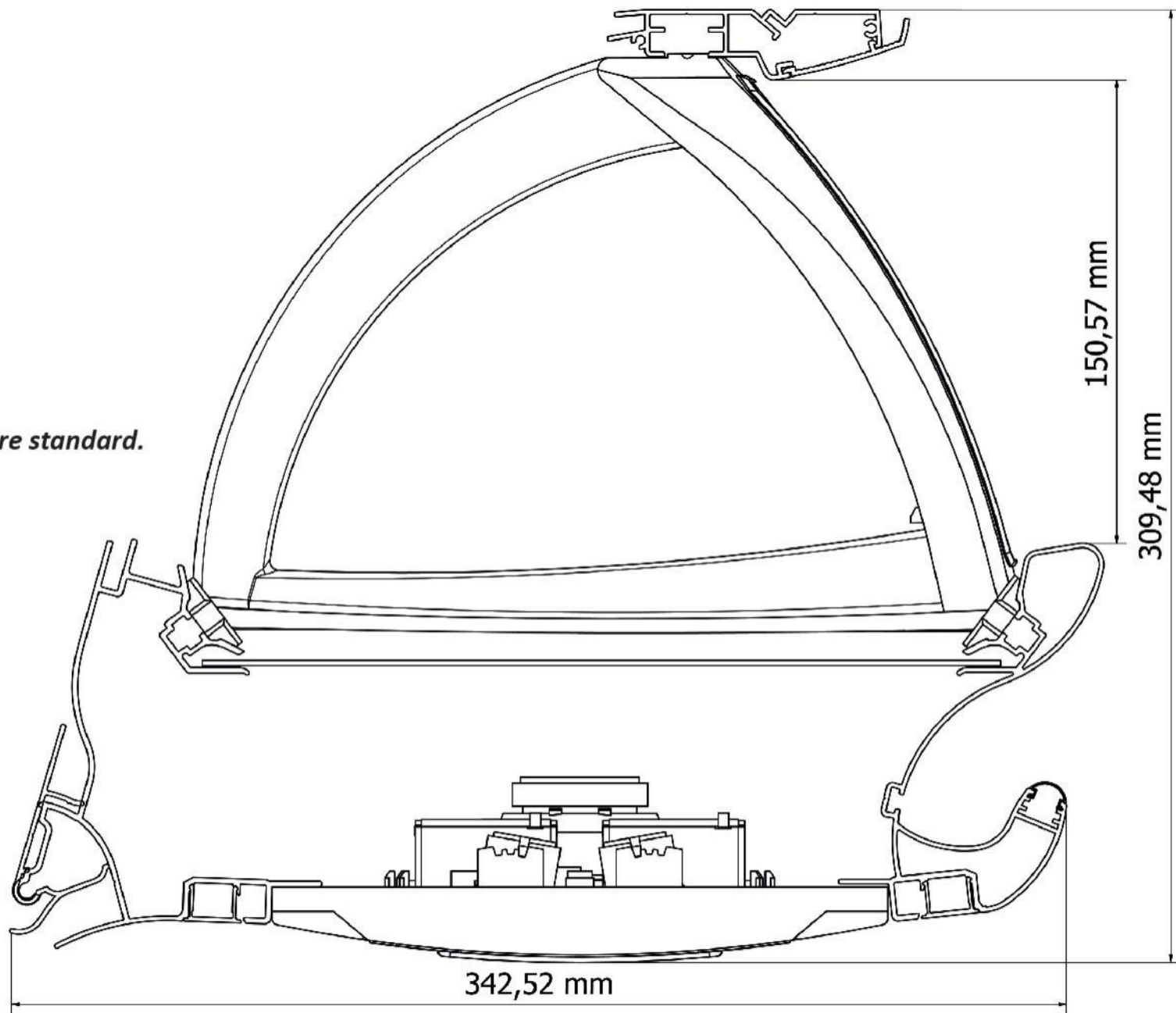
# ZENITH LUGGAGE RACK & AIR CHANNEL

## Lighting Options



ZENITH LUGGAGE RACK & AIR CHANNEL  
Dimensions

All dimensions are standard.



# ZENITH LUGGAGE RACK & AIR CHANNEL

Please fill in the following

## COLOUR OPTIONS

### PROFILE COLOUR OPTIONS;

ANODIZED GRAY  
BEIGE  
BLACK  
GRAY

### ABS COLOUR OPTIONS;

BEIGE : RAL 1015  
DARK BEIGE : RAL 1019  
GRAY : RAL 7035  
DARK GRAY : RAL 9023  
MID GRAY : RAL 7037  
BLACK : RAL 9005

### LED COLOUR OPTIONS;

WARM WHITE  
COOL WHITE  
ORANGE  
BLUE

### BRACKET FRAME COLOURS;

BLUE  
ORANGE  
GLOW-IN-THE-DARK  
CHROME LOOK ( No lighting option possible )

### END CAP COLOUR OPTIONS; ONLY IN BLACK

### PROFILE COLOUR

### TOTAL LENGTH

Left Side	<input type="text"/>	mm
-----------	----------------------	----

Right Side	<input type="text"/>	mm
------------	----------------------	----

### BRACKET COLOUR

### BRACKET FRAME LIGHTING / BRACKET FRAME COLOUR

YES	<input type="checkbox"/>	NO	<input type="checkbox"/>	<input type="text"/>
-----	--------------------------	----	--------------------------	----------------------

### LIGHTING OPTIONS

		LED STRIP COLOUR
1	Indirect Ceiling Lighting	<input type="text"/>
2	Ceiling Lighting	<input type="text"/>
3	Bracket Lighting Frame	see above
4	Handrail Lighting	<input type="text"/>
5	Corridor Side Slim Line Lighting	<input type="text"/>
6	Window Side Slim Line Lighting	<input type="text"/>
7	Indirect Loading Panel Lighting	<input type="text"/>

### SPACER TYPE

Elegant	Elliptic	Plain Single Layer	Plain Double Layer	Flat	Junior Spacer	Plexi Glass Design
---------	----------	--------------------	--------------------	------	---------------	--------------------

### SERVICE SET

Standard Intense	<input checked="" type="checkbox"/>	<input checked="" type="checkbox"/>	<input checked="" type="checkbox"/>	<input checked="" type="checkbox"/>	<input checked="" type="checkbox"/>	<input type="checkbox"/>	<input checked="" type="checkbox"/>
Luxury Intense	<input checked="" type="checkbox"/>	<input checked="" type="checkbox"/>	<input checked="" type="checkbox"/>	<input checked="" type="checkbox"/>	<input checked="" type="checkbox"/>	<input type="checkbox"/>	<input checked="" type="checkbox"/>
Standard Intense With Wheel Air Jets	<input checked="" type="checkbox"/>	<input checked="" type="checkbox"/>	<input checked="" type="checkbox"/>	<input checked="" type="checkbox"/>	<input checked="" type="checkbox"/>	<input type="checkbox"/>	<input checked="" type="checkbox"/>
Luxury Intense With Wheel Air Jets	<input checked="" type="checkbox"/>	<input checked="" type="checkbox"/>	<input checked="" type="checkbox"/>	<input checked="" type="checkbox"/>	<input checked="" type="checkbox"/>	<input type="checkbox"/>	<input checked="" type="checkbox"/>
Drops	<input checked="" type="checkbox"/>	<input checked="" type="checkbox"/>	<input checked="" type="checkbox"/>	<input checked="" type="checkbox"/>	<input type="checkbox"/>	<input type="checkbox"/>	<input type="checkbox"/>
Drops With Spot Light	<input checked="" type="checkbox"/>	<input checked="" type="checkbox"/>	<input checked="" type="checkbox"/>	<input checked="" type="checkbox"/>	<input type="checkbox"/>	<input type="checkbox"/>	<input type="checkbox"/>
Elegant	<input checked="" type="checkbox"/>	<input checked="" type="checkbox"/>	<input checked="" type="checkbox"/>	<input checked="" type="checkbox"/>	<input type="checkbox"/>	<input type="checkbox"/>	<input type="checkbox"/>
Junior	<input type="checkbox"/>	<input type="checkbox"/>	<input type="checkbox"/>	<input type="checkbox"/>	<input checked="" type="checkbox"/>	<input checked="" type="checkbox"/>	<input type="checkbox"/>

suitable to combine

### SERVICE SET TYPE

### QUANTITY

LEFT RIGHT

<input type="text"/>	<input type="text"/>
----------------------	----------------------

### SPACER TYPE

<input type="text"/>	<input type="text"/>
----------------------	----------------------

### ABS INNER WALL OPTION

Yes	<input type="checkbox"/>	FABRIC COVER OPTION	Yes	<input type="checkbox"/>	Contrast Colour	<input type="checkbox"/>	Matching Colour	<input type="checkbox"/>
No	<input type="checkbox"/>		No	<input type="checkbox"/>	ABS Colour Code: RAL.....			

Thank you for choosing our products.