

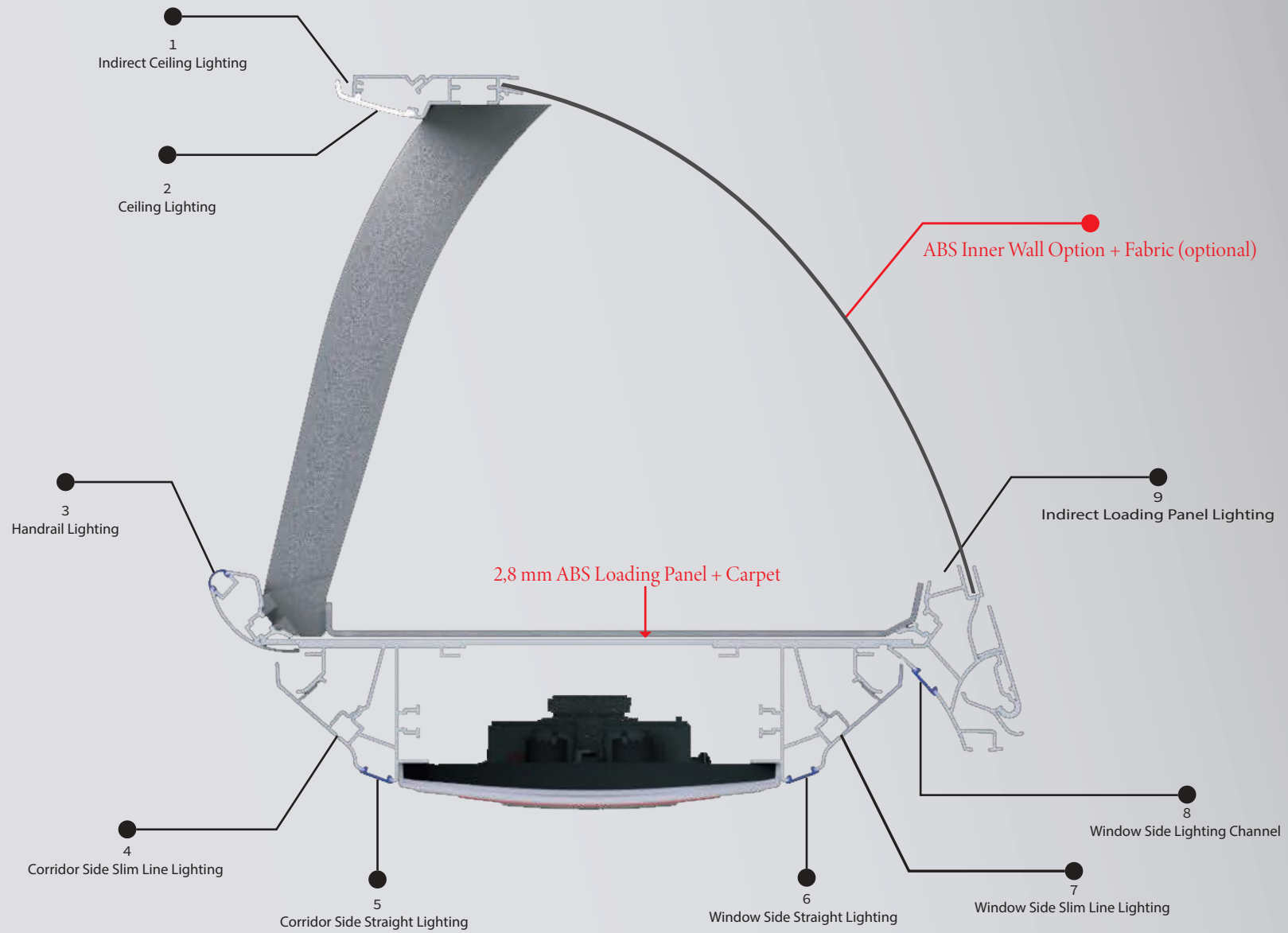
COMBO LUGGAGE RACK & AIR CHANNEL SYSTEMS

PRODUCT NO: ST_029_01



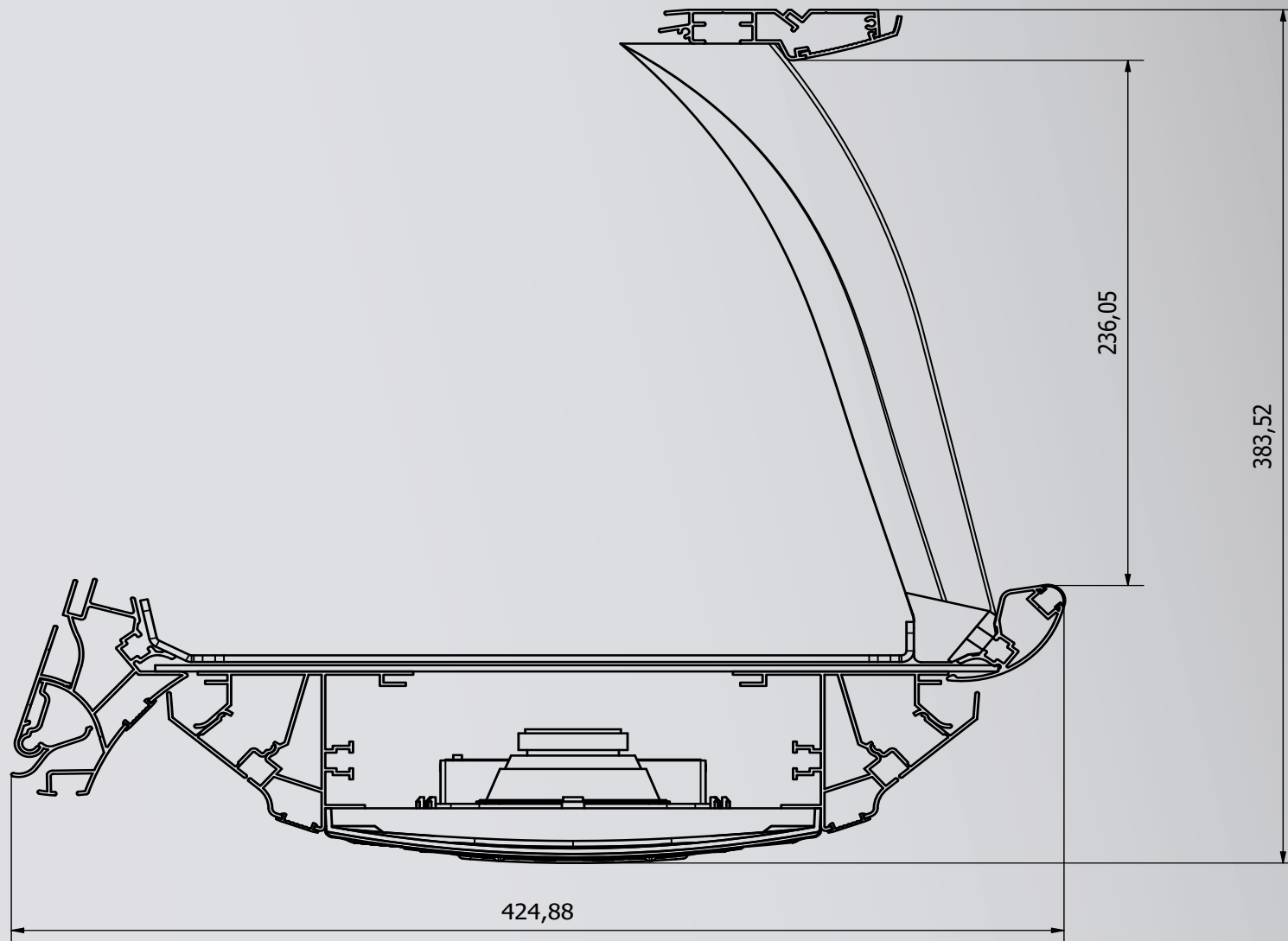
COMBO LUGGAGE RACK & AIR CHANNEL SYSTEMS

Lighting Options



COMBO LUGGAGE RACK & AIR CHANNEL SYSTEMS

Dimensions



All dimensions are standart.

COMBO LUGGAGE RACK & AIR CHANNEL SYSTEMS

PRODUCT NO: ST_029_01
Please fill in the following

COLOURS

PROFILE COLOUR OPTIONS

ANODIZED

BEIGE

BLACK

GRAY

PROFILE COLOUR

TOTAL LENGTH

Left Side mm

Right Side mm

BRACKET COLOUR

Black

Gray

PLASTIC ABS COLOUR CODES

BEIGE : RAL 1015

DARK BEIGE : RAL 1019

GRAY : RAL 7035

DARK GRAY : RAL 9023

MID GRAY : RAL 7037

BLACK : RAL 9005

LIGHTING OPTIONS

LED STRIP COLOUR

1	Indirect Ceiling Lighting	<input type="text"/>
2	Ceiling Lighting	<input type="text"/>
3	Handrail Lighting	<input type="text"/>
4	Corridor Side Slim Line Lighting	<input type="text"/>
5	Corridor Side Straight Lighting	<input type="text"/>
6	Window Side Straight Lighting	<input type="text"/>
7	Window Side Slim Line Lighting	<input type="text"/>
8	Window Side Lighting Channel	<input type="text"/>
9	Indirect Loading Panel Lighting	<input type="text"/>

END CAP

NOT AVAILABLE

SPACER TYPE

Elegant	Elliptic	Plain Single Layer	Plain Double Layer	Flat	Junior Spacer	Plexi Glass Design
<input type="checkbox"/>	<input type="checkbox"/>	<input type="checkbox"/>	<input type="checkbox"/>	<input type="checkbox"/>	<input type="checkbox"/>	<input type="checkbox"/>
<input checked="" type="checkbox"/>	<input checked="" type="checkbox"/>	<input checked="" type="checkbox"/>	<input checked="" type="checkbox"/>	<input checked="" type="checkbox"/>	<input type="checkbox"/>	<input checked="" type="checkbox"/>
<input checked="" type="checkbox"/>	<input checked="" type="checkbox"/>	<input checked="" type="checkbox"/>	<input checked="" type="checkbox"/>	<input checked="" type="checkbox"/>	<input type="checkbox"/>	<input checked="" type="checkbox"/>
<input checked="" type="checkbox"/>	<input checked="" type="checkbox"/>	<input checked="" type="checkbox"/>	<input checked="" type="checkbox"/>	<input checked="" type="checkbox"/>	<input type="checkbox"/>	<input checked="" type="checkbox"/>
<input checked="" type="checkbox"/>	<input checked="" type="checkbox"/>	<input checked="" type="checkbox"/>	<input checked="" type="checkbox"/>	<input type="checkbox"/>	<input type="checkbox"/>	<input type="checkbox"/>
<input checked="" type="checkbox"/>	<input checked="" type="checkbox"/>	<input checked="" type="checkbox"/>	<input checked="" type="checkbox"/>	<input type="checkbox"/>	<input type="checkbox"/>	<input type="checkbox"/>
<input type="checkbox"/>	<input type="checkbox"/>	<input type="checkbox"/>	<input type="checkbox"/>	<input checked="" type="checkbox"/>	<input type="checkbox"/>	<input type="checkbox"/>

SERVICE SET

Standard Intense

Luxury Intense

Standard Intense With Wheel Air Jets

Luxury Intense With Wheel Air Jets

Drops

Drops With Spot Light

Elegant

Junior

suitable to combine

SERVICE SET TYPE

SPACER TYPE

QUANTITY

LEFT

RIGHT

ABS INNER WALL OPTIONS

YES

NO

ABS INNER WALL FABRIC OPTIONS

YES

NO

ABS INNER WALL COLOUR

Contrast

Matching

ABS INNER WALL FABRIC COLOUR

Contrast

Matching

Thank you for choosing our products.