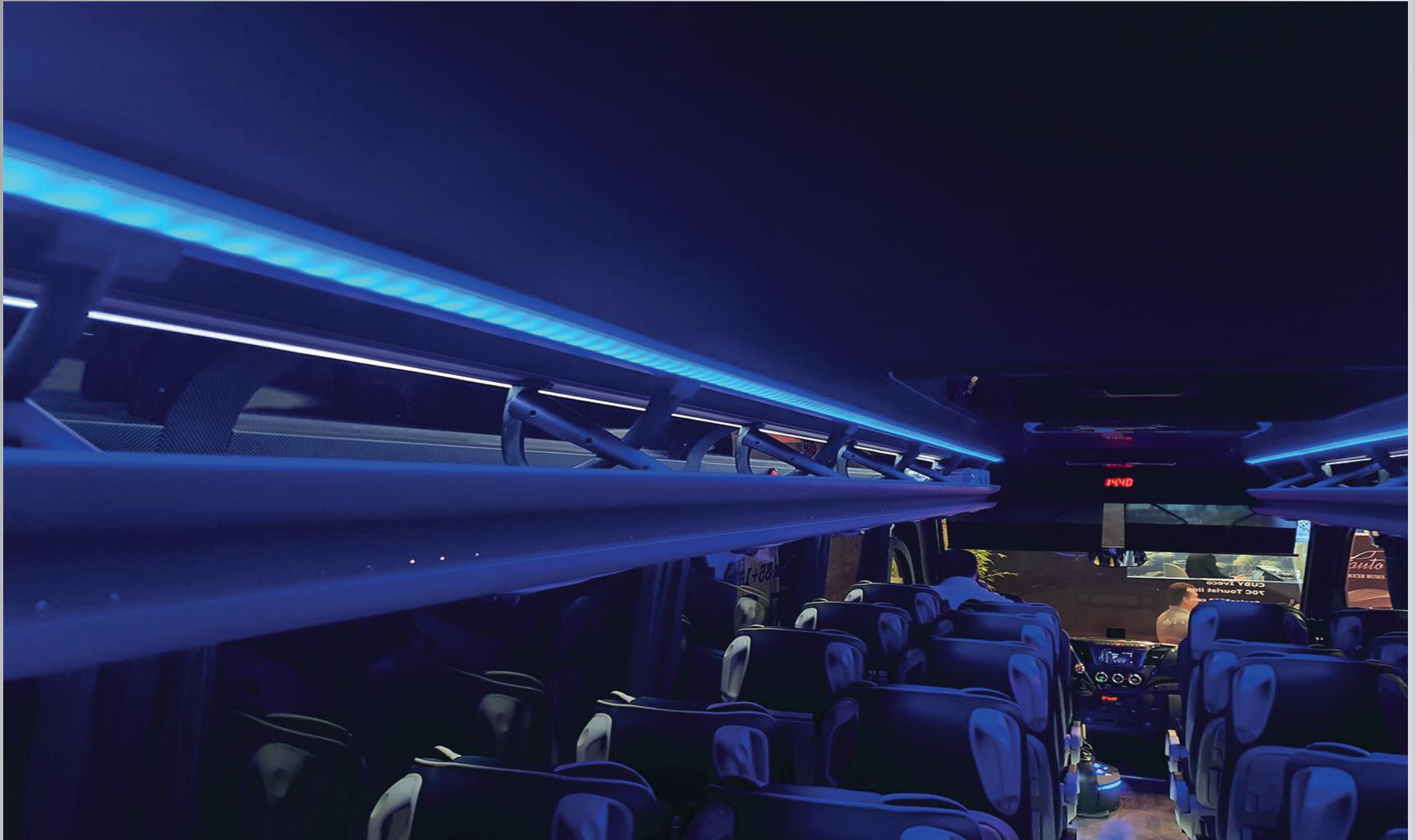


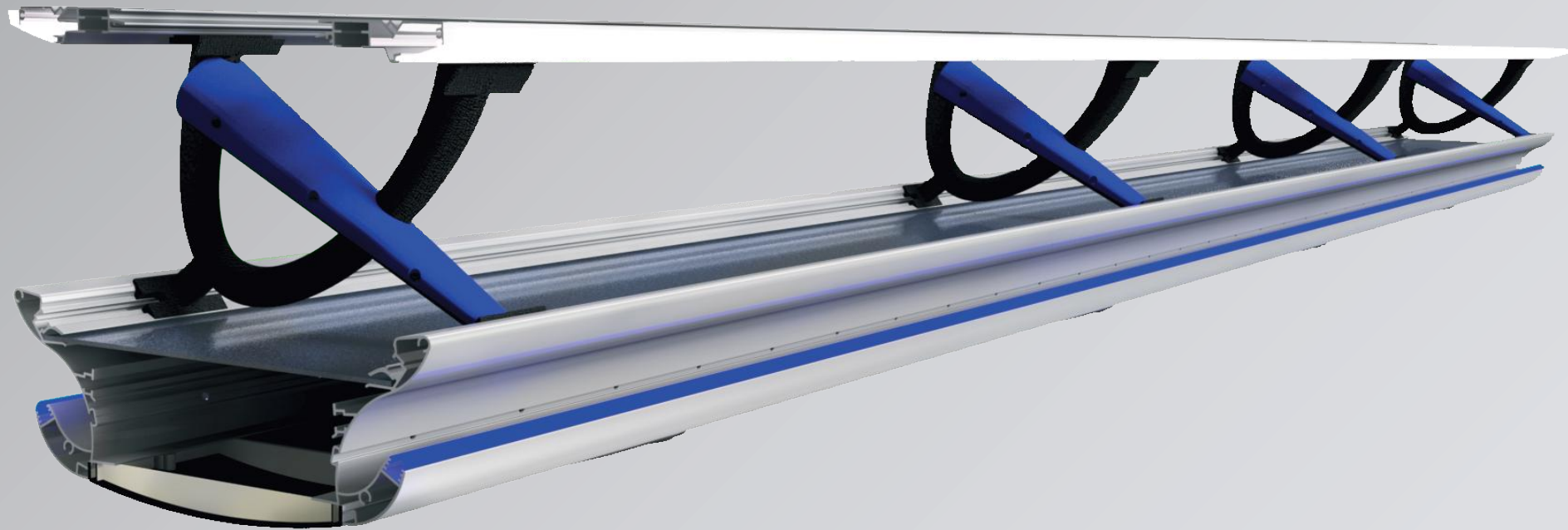
CURVY LUGGAGE RACK & AIR CHANNEL SYSTEMS

Product No : ST_025_02

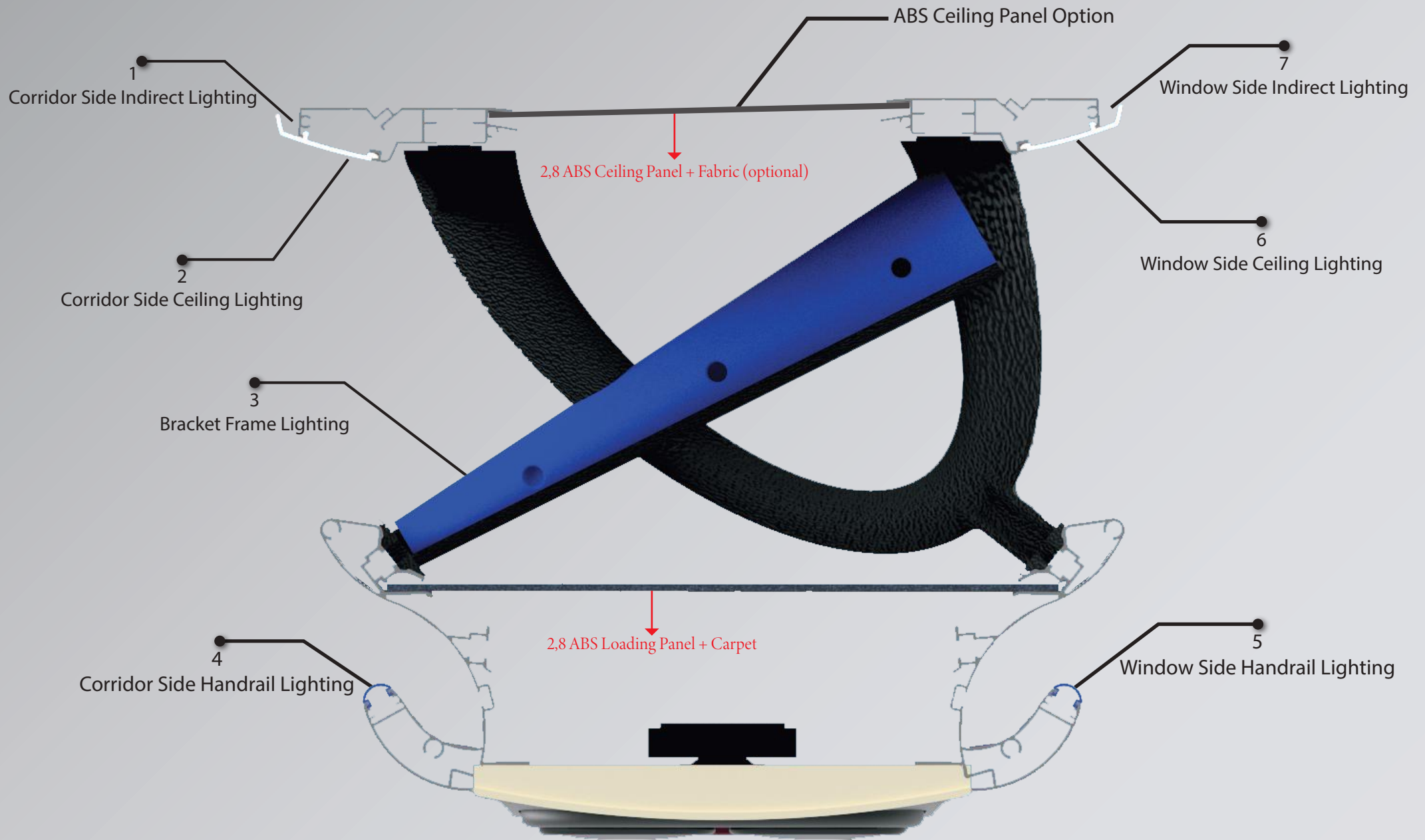


CURVY LUGGAGE RACK & AIR CHANNEL SYSTEMS

Product No : ST_025_02

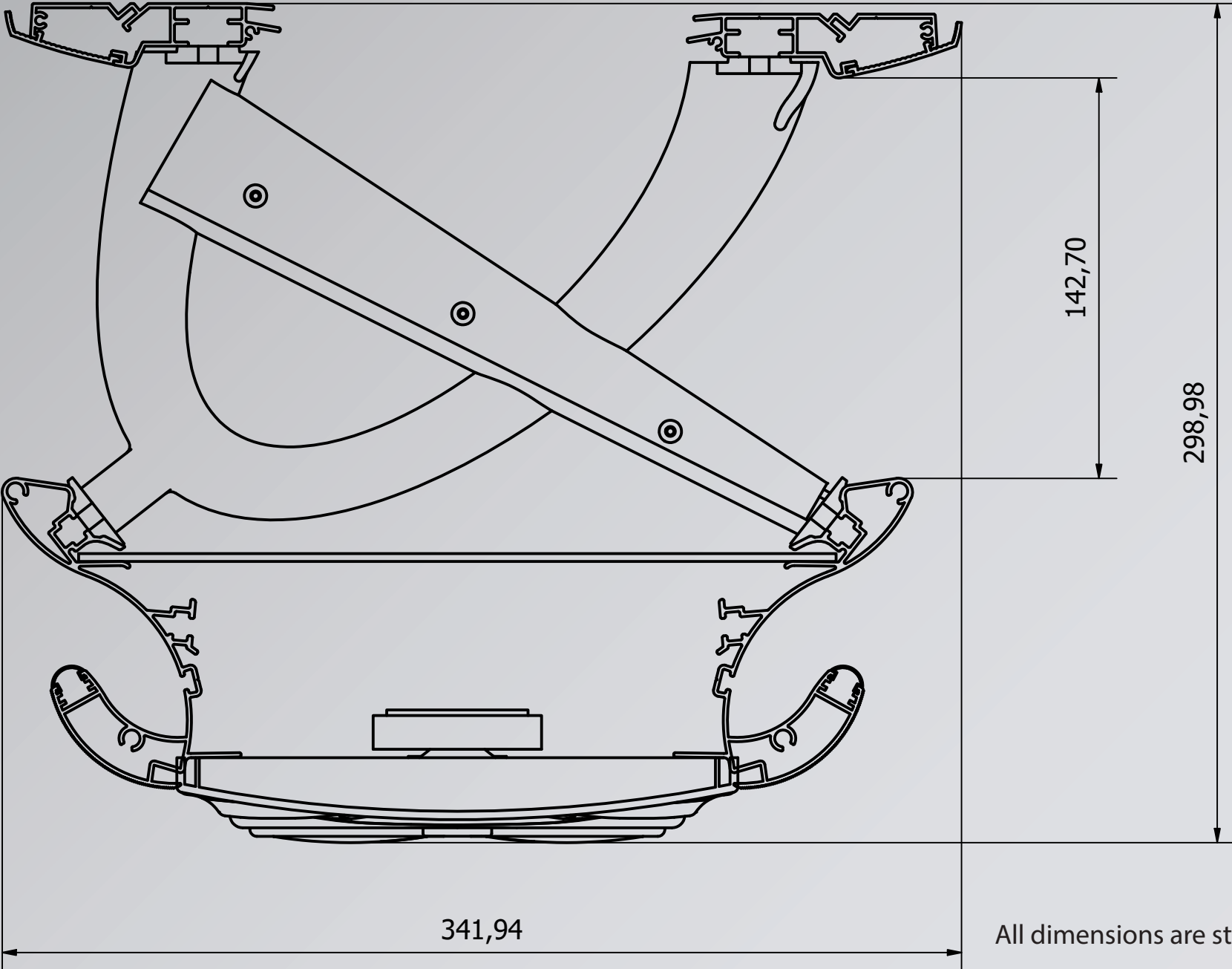


CURVY LUGGAGE RACK & AIR CHANNEL SYSTEMS LIGHTING OPTIONS



CURVY LUGGAGE RACK & AIR CHANNEL SYSTEMS

Dimensions



All dimensions are standart.

CURVY LUGGAGE RACK & AIR CHANNEL SYSTEMS

Product No : ST_025_02

Please fill in the following

COLOURS

PROFILE COLOUR OPTIONS

ANODIZED

BEIGE

BLACK

GRAY

PLASTIC ABS COLOUR CODES

BEIGE : RAL 1015

DARK BEIGE : RAL 1019

GRAY : RAL 7035

DARK GRAY : RAL 9023

MID GRAY : RAL 7037

BLACK : RAL 9005

LED COLOUR OPTIONS (12 V / 24 V)

WARM WHITE

COOL WHITE

ORANGE

BLUE

FLAP

NOT AVAILABLE

BRACKET CAP COLOUR

ONLY IN BLUE

PROFILE COLOUR

TOTAL LENGTH

 Left Side mm

 Right Side mm

BRACKET COLOUR

 Black Only

BRACKET LIGHTING / BRACKET CAP COLOUR

 YES NO

 Blue Only

LIGHTING OPTIONS

		LED STRIP COLOUR
1	Corridor Side Indirect Lighting	<input type="text"/>
2	Corridor Side Ceiling Lighting	<input type="text"/>
3	Bracket Frame Lighting	<input type="text"/>
4	Corridor Side Handrail Lighting	<input type="text"/>
5	Window Side Handrail Lighting	<input type="text"/>
6	Window Side Ceiling Lighting	<input type="text"/>
7	Window Side Indirect Lighting	<input type="text"/>

ABS CEILING PANEL OPTION

 Yes
 No

ABS CEILING FABRIC OPTION

 Yes
 No

ABS CEILING PANEL COLOUR

 Contrast
 Matching

ABS CEILING PANEL FABRIC COLOUR

 Contrast
 Matching

SPACER TYPE

Elegant	Elliptic	Plain Single Layer	Plain Double Layer	Flat	Junior Spacer	Plexi Glass Design
---------	----------	--------------------	--------------------	------	---------------	--------------------

SERVICE SET

Standard Intense	<input checked="" type="checkbox"/>	<input checked="" type="checkbox"/>	<input checked="" type="checkbox"/>	<input checked="" type="checkbox"/>	<input checked="" type="checkbox"/>	<input type="checkbox"/>	<input checked="" type="checkbox"/>
Luxury Intense	<input checked="" type="checkbox"/>	<input checked="" type="checkbox"/>	<input checked="" type="checkbox"/>	<input checked="" type="checkbox"/>	<input checked="" type="checkbox"/>	<input type="checkbox"/>	<input checked="" type="checkbox"/>
Standard Intense With Wheel Air Jets	<input checked="" type="checkbox"/>	<input checked="" type="checkbox"/>	<input checked="" type="checkbox"/>	<input checked="" type="checkbox"/>	<input checked="" type="checkbox"/>	<input type="checkbox"/>	<input checked="" type="checkbox"/>
Luxury Intense With Wheel Air Jets	<input checked="" type="checkbox"/>	<input checked="" type="checkbox"/>	<input checked="" type="checkbox"/>	<input checked="" type="checkbox"/>	<input checked="" type="checkbox"/>	<input type="checkbox"/>	<input checked="" type="checkbox"/>
Drops	<input checked="" type="checkbox"/>	<input checked="" type="checkbox"/>	<input checked="" type="checkbox"/>	<input checked="" type="checkbox"/>	<input type="checkbox"/>	<input type="checkbox"/>	<input type="checkbox"/>
Drops With Spot Light	<input checked="" type="checkbox"/>	<input checked="" type="checkbox"/>	<input checked="" type="checkbox"/>	<input checked="" type="checkbox"/>	<input type="checkbox"/>	<input type="checkbox"/>	<input type="checkbox"/>
Elegant	<input checked="" type="checkbox"/>	<input checked="" type="checkbox"/>	<input checked="" type="checkbox"/>	<input checked="" type="checkbox"/>	<input type="checkbox"/>	<input type="checkbox"/>	<input type="checkbox"/>
Junior	<input type="checkbox"/>	<input type="checkbox"/>	<input type="checkbox"/>	<input type="checkbox"/>	<input checked="" type="checkbox"/>	<input checked="" type="checkbox"/>	<input type="checkbox"/>

suitable to combine

SERVICE SET TYPE

QUANTITY

LEFT RIGHT

SPACER TYPE

Thank you for choosing our products.