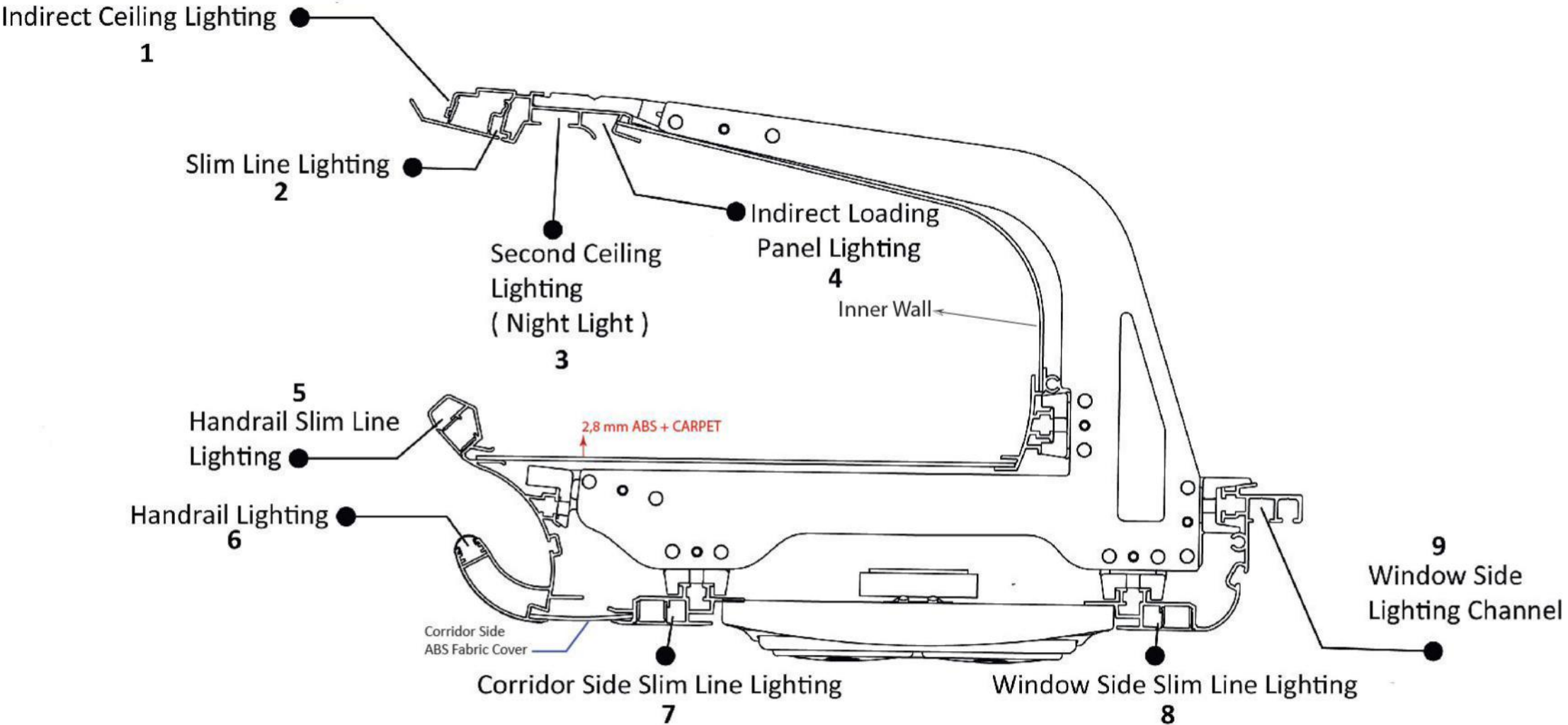


**ELITE FLEXI LUX LUGGAGE RACK & AIR CHANNEL DOUBLE LINE FOR MINIBUS**



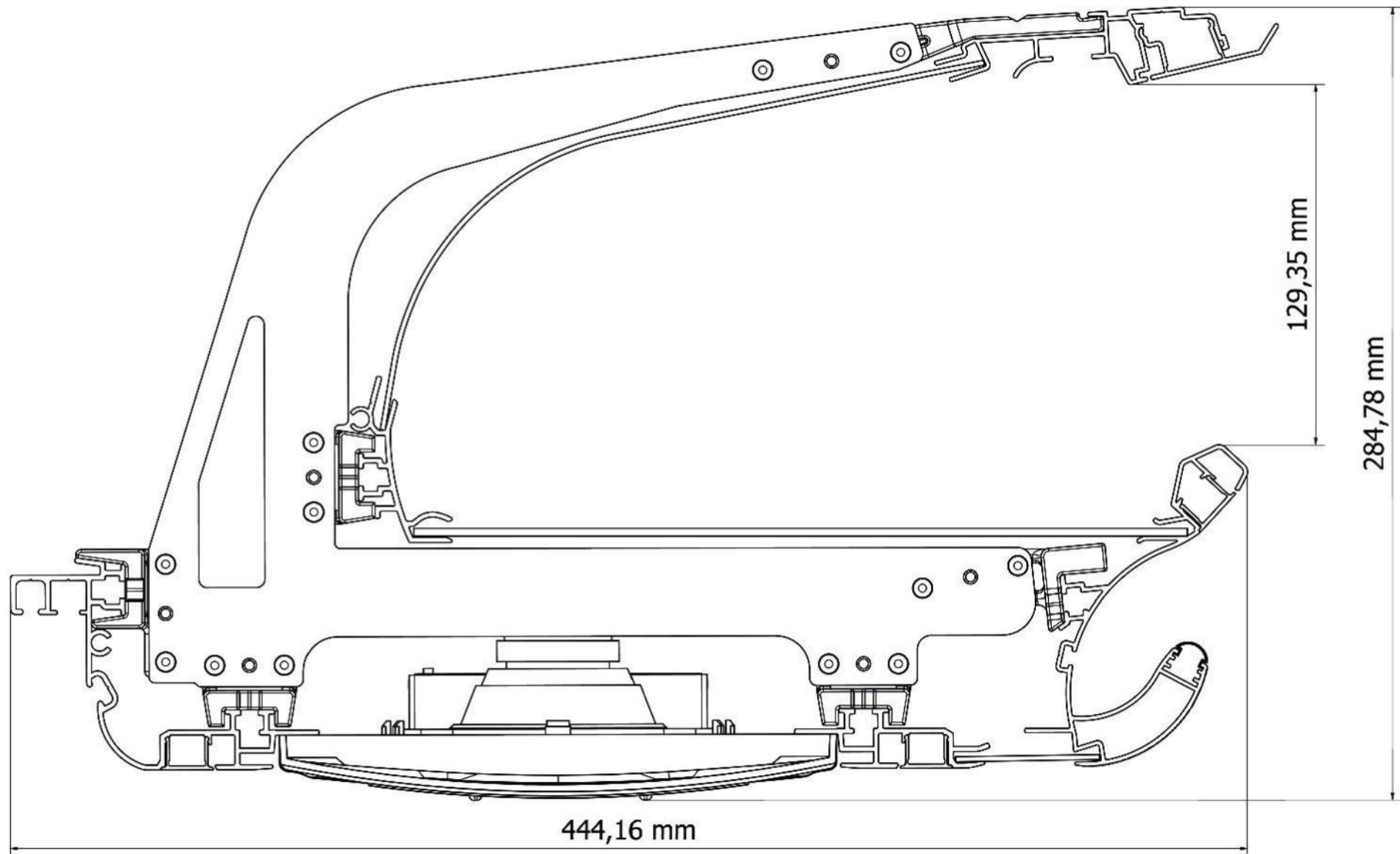
**ELITE FLEXI LUX LUGGAGE RACK & AIR CHANNEL DOUBLE LINE FOR MINIBUS**  
*Lighting Options*



# ELITE FLEXI LUX LUGGAGE RACK & AIR CHANNEL DOUBLE LINE FOR MINIBUS

## Dimensions

*All dimensions are flexible.*



# ELITE FLEXI LUX LUGGAGE RACK & AIR CHANNEL DOUBLE LINE FOR MINIBUS

Please fill in the following

## COLOUR OPTIONS

### PROFILE COLOUR OPTIONS;

- ANODIZED GRAY
- BEIGE
- BLACK
- GRAY

### ABS COLOUR OPTIONS;

- BEIGE : RAL 1015
- DARK BEIGE : RAL 1019
- GRAY : RAL 7035
- DARK GRAY : RAL 9023
- MID GRAY : RAL 7037
- BLACK : RAL 9005

### LED COLOUR OPTIONS;

- WARM WHITE
- COOL WHITE
- ORANGE
- BLUE

### END CAPS;

**NOT AVAILABLE FOR THIS PRODUCT**

## PROFILE COLOUR

## TOTAL LENGTH

Left Side	<input type="text"/>	mm
-----------	----------------------	----

Right Side	<input type="text"/>	mm
------------	----------------------	----

## LIGHTING OPTIONS

	LIGHTING OPTIONS	LED STRIP COLOUR
1	Indirect Ceiling Lighting	<input type="text"/>
2	Ceiling Profile Slim Line Lighting	<input type="text"/>
3	Second Ceiling Lighting ( Night Light )	<input type="text"/>
4	Indirect Loading Panel Lighting	<input type="text"/>
5	Handrail Slim Line Lighting	<input type="text"/>
6	Handrail Lighting	<input type="text"/>
7	Corridor Side Slim Line Lighting	<input type="text"/>
8	Window Side Slim Line Lighting	<input type="text"/>
9	Window Side Lighting Channel	<input type="text"/>

## INNER WALL FABRIC OPTION

Yes  → Contrast Colour  Matching Colour

No  → ABS Colour Code: RAL.....

## WINDOW SIDE PANEL FABRIC OPTION

Yes  → Contrast Colour  Matching Colour

No  → ABS Colour Code: RAL.....

## SPACER TYPE

Elegant	Elliptic	Plain Single Layer	Plain Double Layer	Flat	Junior Spacer	Plexi Glass Design
---------	----------	--------------------	--------------------	------	---------------	--------------------

## SERVICE SET

Standard Intense	<input checked="" type="checkbox"/>	<input checked="" type="checkbox"/>	<input checked="" type="checkbox"/>	<input checked="" type="checkbox"/>	<input checked="" type="checkbox"/>	<input type="checkbox"/>	<input checked="" type="checkbox"/>
Luxury Intense	<input checked="" type="checkbox"/>	<input checked="" type="checkbox"/>	<input checked="" type="checkbox"/>	<input checked="" type="checkbox"/>	<input checked="" type="checkbox"/>	<input type="checkbox"/>	<input checked="" type="checkbox"/>
Standard Intense With Wheel Air Jets	<input checked="" type="checkbox"/>	<input checked="" type="checkbox"/>	<input checked="" type="checkbox"/>	<input checked="" type="checkbox"/>	<input checked="" type="checkbox"/>	<input type="checkbox"/>	<input checked="" type="checkbox"/>
Luxury Intense With Wheel Air Jets	<input checked="" type="checkbox"/>	<input checked="" type="checkbox"/>	<input checked="" type="checkbox"/>	<input checked="" type="checkbox"/>	<input checked="" type="checkbox"/>	<input type="checkbox"/>	<input checked="" type="checkbox"/>
Drops	<input checked="" type="checkbox"/>	<input checked="" type="checkbox"/>	<input checked="" type="checkbox"/>	<input checked="" type="checkbox"/>	<input type="checkbox"/>	<input type="checkbox"/>	<input type="checkbox"/>
Drops With Spot Light	<input checked="" type="checkbox"/>	<input checked="" type="checkbox"/>	<input checked="" type="checkbox"/>	<input checked="" type="checkbox"/>	<input type="checkbox"/>	<input type="checkbox"/>	<input type="checkbox"/>
Elegant	<input checked="" type="checkbox"/>	<input checked="" type="checkbox"/>	<input checked="" type="checkbox"/>	<input checked="" type="checkbox"/>	<input type="checkbox"/>	<input type="checkbox"/>	<input type="checkbox"/>
Junior	<input type="checkbox"/>	<input type="checkbox"/>	<input type="checkbox"/>	<input type="checkbox"/>	<input checked="" type="checkbox"/>	<input checked="" type="checkbox"/>	<input type="checkbox"/>

suitable to combine

## SERVICE SET TYPE

<input type="text"/>	LEFT	RIGHT
----------------------	------	-------

## SPACER TYPE

<input type="text"/>	LEFT	RIGHT
----------------------	------	-------

Thank you for choosing our products.