

ENIGMA LUGGAGE RACK & AIR CHANNEL

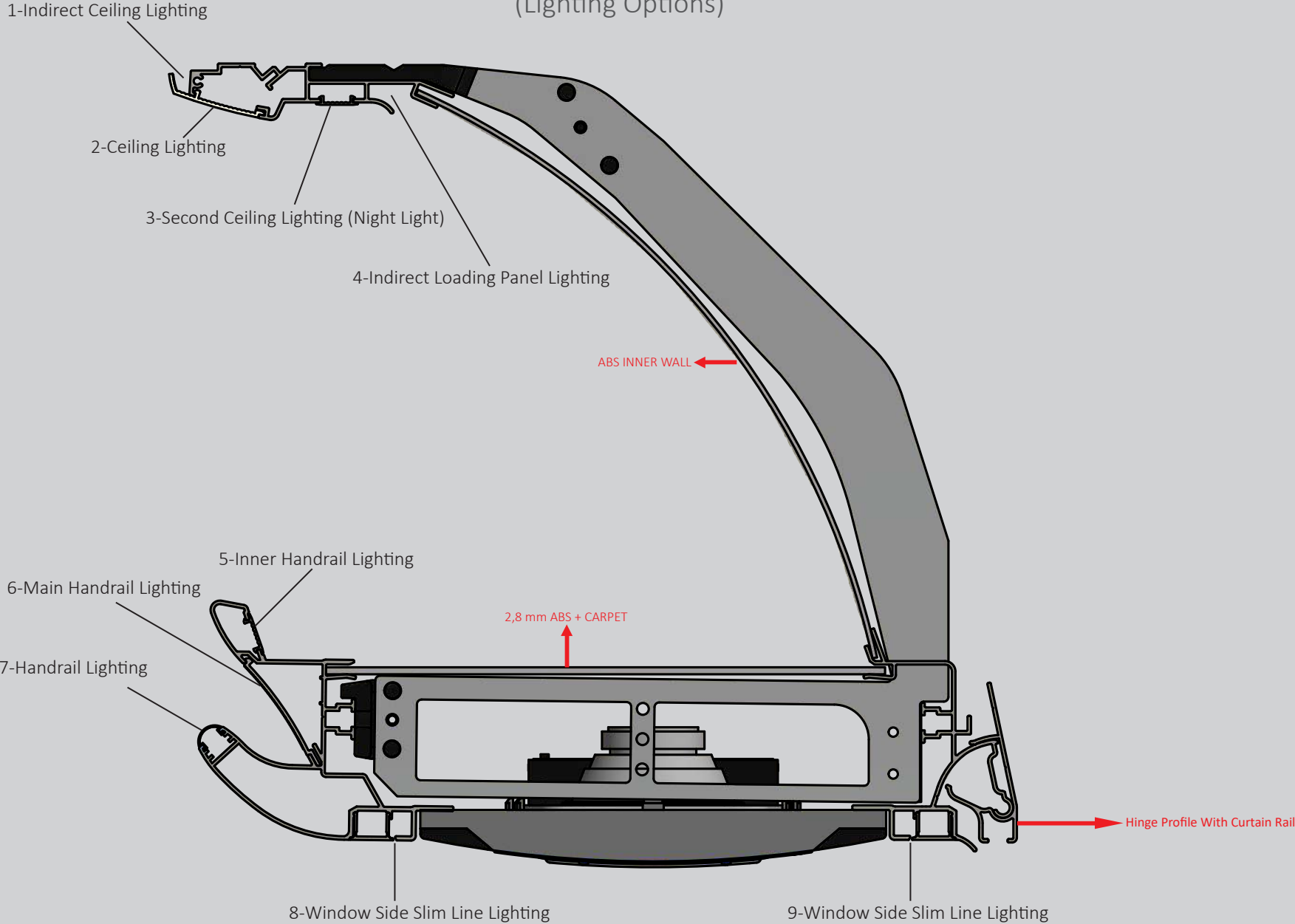
PRODUCT CODE: ST_031_01



ENIGMA LUGGAGE RACK & AIR CHANNEL

PRODUCT CODE: ST_031_01

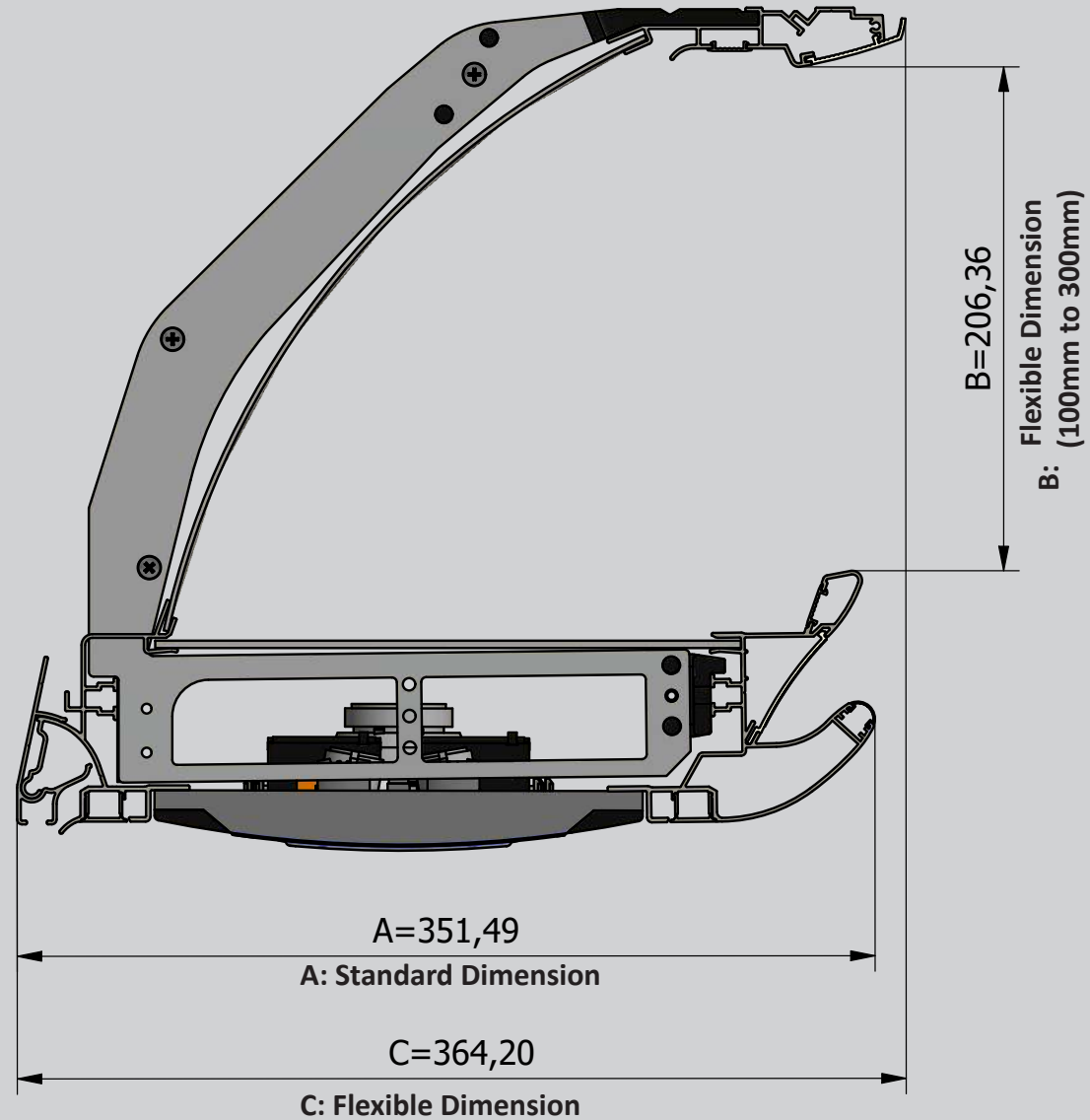
(Lighting Options)



ENIGMA LUGGAGE RACK & AIR CHANNEL

PRODUCT CODE: ST_031_01

(Dimensions)



ENIGMA LUGGAGE RACK & AIR CHANNEL

PRODUCT CODE: ST_031_01

Please fill in the following

COLOURS

PROFILE COLOUR OPTIONS

- GRAY Anodized
- BEIGE (Powder Painted)
- BLACK (Powder Painted)
- GRAY (Powder Painted)

ABS COLOUR CODES

- BEIGE : RAL 1015
- DARK BEIGE : RAL 1019
- GRAY : RAL 7035
- DARK GRAY : RAL 9023
- MID GRAY : RAL 7037
- BLACK : RAL 9005

LED STRIP COLOUR OPTIONS (12 V/24 V)

- WARM WHITE
- COOL WHITE
- ORANGE
- BLUE

PROFILE COLOUR

TOTAL LENGTH

 Left Side mm

 Right Side mm

LIGHTING OPTIONS

		LED STRIP COLOUR
1	Indirect Ceiling Lighting	<input type="text"/>
2	Ceiling Lighting	<input type="text"/>
3	Second Ceiling Lighting (Night Lighting)	<input type="text"/>
4	Indirect Loading Panel Lighting	<input type="text"/>
5	Inner Handrail Lighting	<input type="text"/>
6	Main Handrail Lighting	<input type="text"/>
7	Handrail Lighting	<input type="text"/>
8	Corridor Side Slim Line Lighting	<input type="text"/>
9	Window Side Slim Line Lighting	<input type="text"/>

suitable to combine

SPACER TYPE

Elegant	Elliptic	Plain Single Layer	Plain Double Layer	Flat	Junior	Plexi Glass Design
<input type="checkbox"/>	<input type="checkbox"/>	<input type="checkbox"/>	<input type="checkbox"/>	<input type="checkbox"/>	<input type="checkbox"/>	<input type="checkbox"/>
<input type="checkbox"/>	<input type="checkbox"/>	<input type="checkbox"/>	<input type="checkbox"/>	<input type="checkbox"/>	<input type="checkbox"/>	<input type="checkbox"/>
<input type="checkbox"/>	<input type="checkbox"/>	<input type="checkbox"/>	<input type="checkbox"/>	<input type="checkbox"/>	<input type="checkbox"/>	<input type="checkbox"/>
<input type="checkbox"/>	<input type="checkbox"/>	<input type="checkbox"/>	<input type="checkbox"/>	<input type="checkbox"/>	<input type="checkbox"/>	<input type="checkbox"/>
<input type="checkbox"/>	<input type="checkbox"/>	<input type="checkbox"/>	<input type="checkbox"/>	<input type="checkbox"/>	<input type="checkbox"/>	<input type="checkbox"/>
<input type="checkbox"/>	<input type="checkbox"/>	<input type="checkbox"/>	<input type="checkbox"/>	<input type="checkbox"/>	<input type="checkbox"/>	<input type="checkbox"/>
<input type="checkbox"/>	<input type="checkbox"/>	<input type="checkbox"/>	<input type="checkbox"/>	<input type="checkbox"/>	<input type="checkbox"/>	<input type="checkbox"/>
<input type="checkbox"/>	<input type="checkbox"/>	<input type="checkbox"/>	<input type="checkbox"/>	<input type="checkbox"/>	<input type="checkbox"/>	<input type="checkbox"/>
<input type="checkbox"/>	<input type="checkbox"/>	<input type="checkbox"/>	<input type="checkbox"/>	<input type="checkbox"/>	<input type="checkbox"/>	<input type="checkbox"/>

SERVICE SET

Standard Intense	<input type="checkbox"/>	<input type="checkbox"/>	<input type="checkbox"/>	<input type="checkbox"/>	<input type="checkbox"/>	<input type="checkbox"/>
Luxury Intense	<input type="checkbox"/>	<input type="checkbox"/>	<input type="checkbox"/>	<input type="checkbox"/>	<input type="checkbox"/>	<input type="checkbox"/>
Standard Intense With Wheel Air Diffuser	<input type="checkbox"/>	<input type="checkbox"/>	<input type="checkbox"/>	<input type="checkbox"/>	<input type="checkbox"/>	<input type="checkbox"/>
Luxury Intense With Wheel Air Diffuser	<input type="checkbox"/>	<input type="checkbox"/>	<input type="checkbox"/>	<input type="checkbox"/>	<input type="checkbox"/>	<input type="checkbox"/>
Drops	<input type="checkbox"/>	<input type="checkbox"/>	<input type="checkbox"/>	<input type="checkbox"/>	<input type="checkbox"/>	<input type="checkbox"/>
Drops With Spot Light	<input type="checkbox"/>	<input type="checkbox"/>	<input type="checkbox"/>	<input type="checkbox"/>	<input type="checkbox"/>	<input type="checkbox"/>
Elegant	<input type="checkbox"/>	<input type="checkbox"/>	<input type="checkbox"/>	<input type="checkbox"/>	<input type="checkbox"/>	<input type="checkbox"/>
Junior	<input type="checkbox"/>	<input type="checkbox"/>	<input type="checkbox"/>	<input type="checkbox"/>	<input type="checkbox"/>	<input type="checkbox"/>

SERVICE SET TYPE

SERVICE SET COLOUR

QUANTITY

LEFT	RIGHT
<input type="text"/>	<input type="text"/>

SPACER TYPE

SPACER COLOUR

<input type="text"/>	<input type="text"/>
----------------------	----------------------

INNER WALL UPHOLSTERY OPTIONS

YES	<input type="checkbox"/>
NO	<input type="checkbox"/>

INNER WALL UPHOLSTERY COLOUR OPTION

Contrast	<input type="checkbox"/>	Matching	<input type="checkbox"/>
----------	--------------------------	----------	--------------------------

INNER WALL COLOUR OPTION

Contrast	<input type="checkbox"/>	Matching	<input type="checkbox"/>
----------	--------------------------	----------	--------------------------

Thank you for choosing our products.