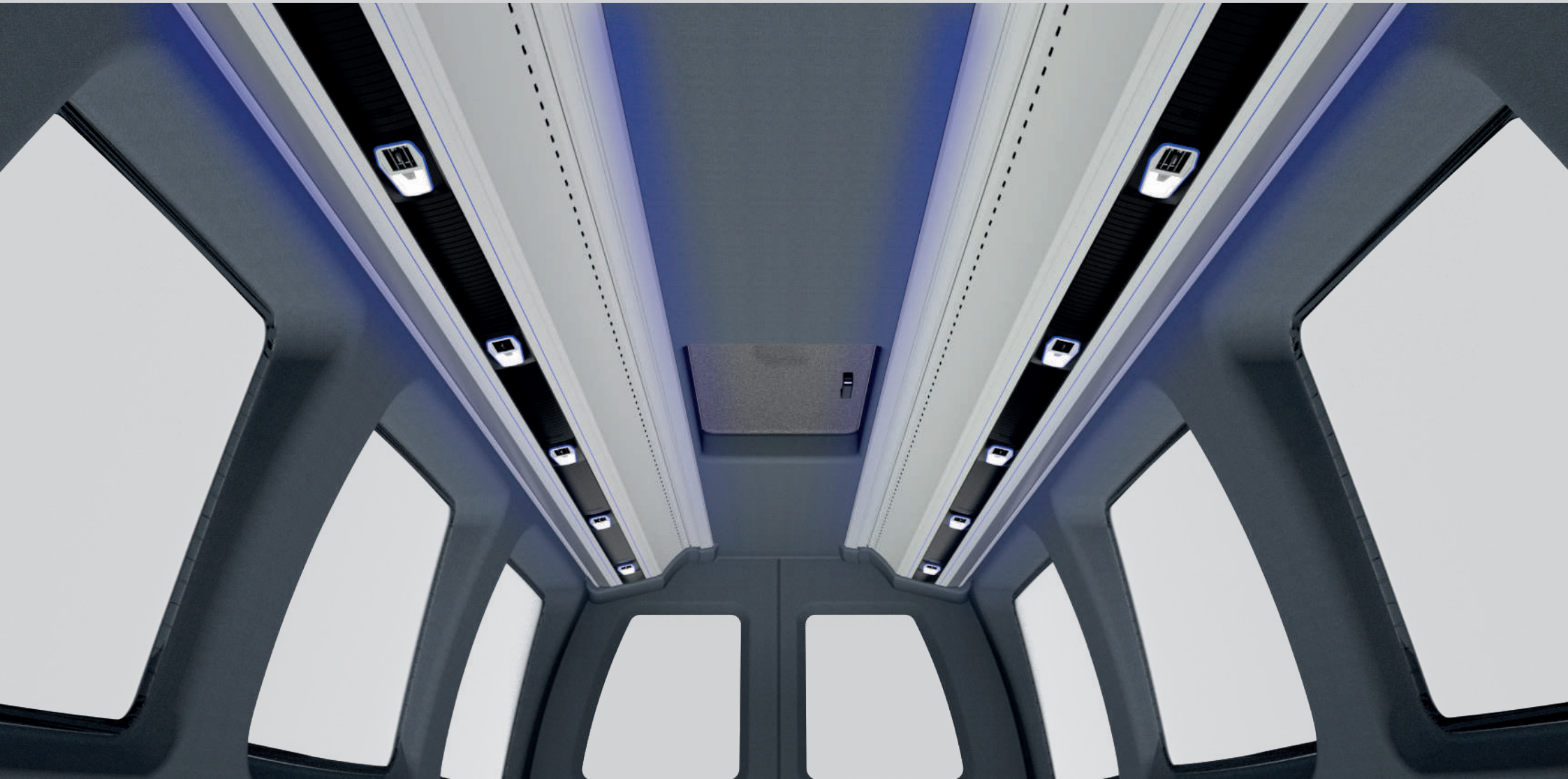


PRETTY V2 AIR CHANNEL ONLY

PRODUCT CODE: ST_029_01



PRETTY V2 AIR CHANNEL ONLY

(View with different Service Sets)

PRODUCT CODE: ST_029_01

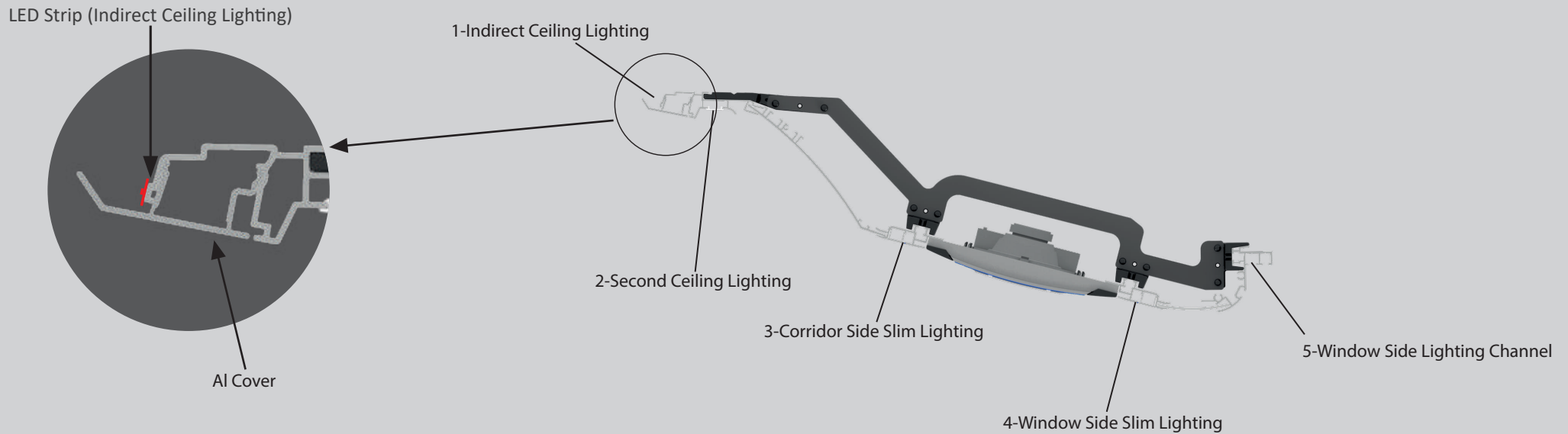


PRETTY V2 AIR CHANNEL ONLY

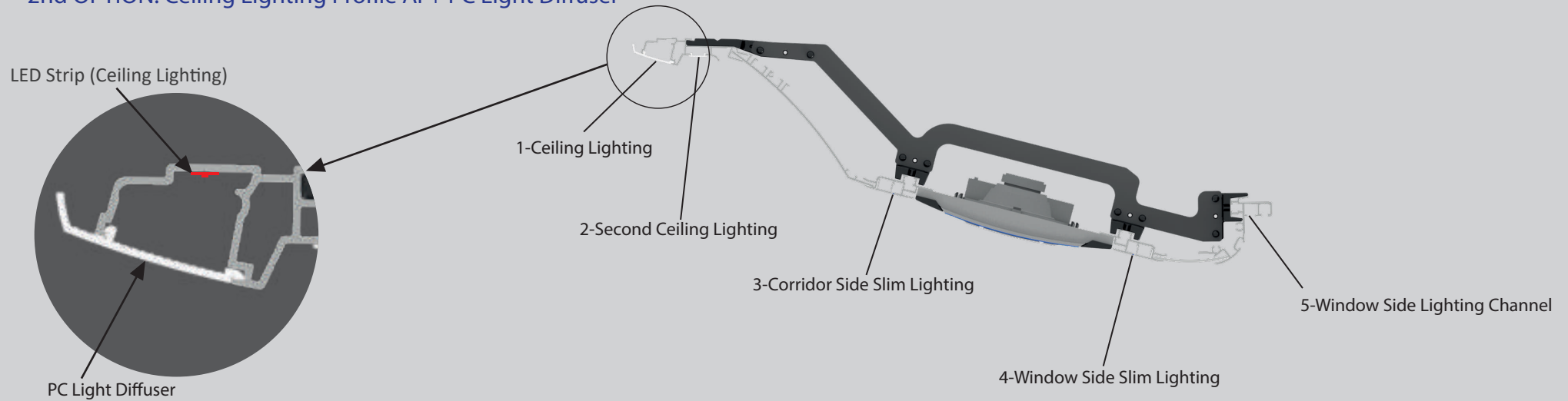
(Different Lighting Options)

PRODUCT CODE: ST_029_01

1st OPTION: Ceiling Lighting Profile Complete in AI



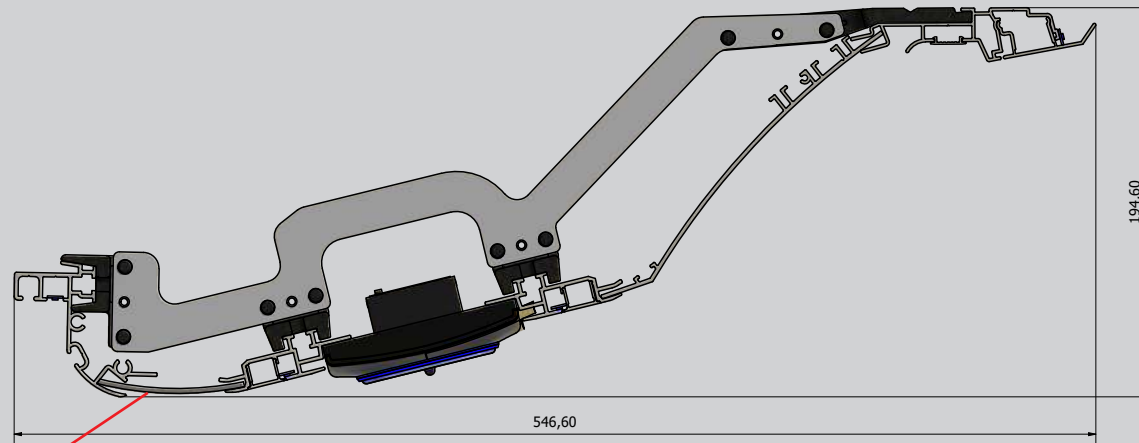
2nd OPTION: Ceiling Lighting Profile AI + PC Light Diffuser



PRETTY V2 AIR CHANNEL ONLY

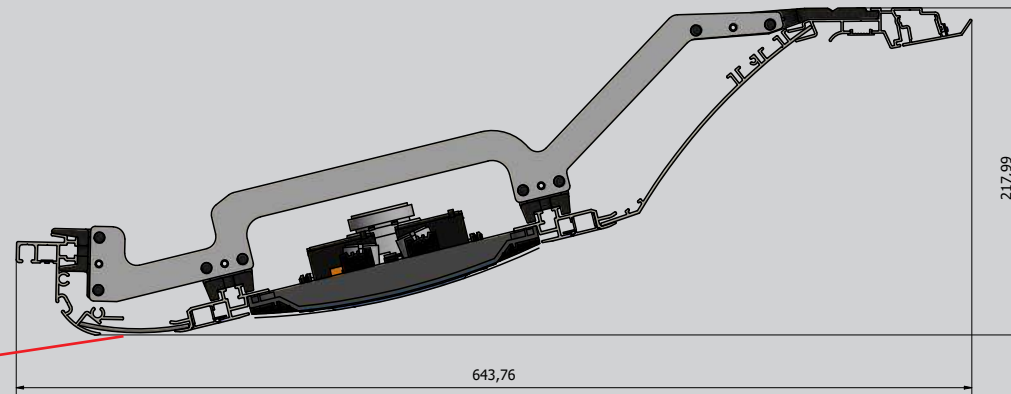
(Dimension with different Service Sets)

PRODUCT CODE: ST_029_01



ABS+Fabric (optional)

Dimension with Junior Service Sets



ABS+Fabric (optional)

Dimension with Double Junior/Elegant/Intense Series/Drops Service Sets

PRETTY V2 AIR CHANNEL ONLY

PRODUCT CODE: ST_029_01

(Please fill in the following)

COLOURS

PROFILE COLOUR OPTIONS

Gray Anodized
 BEIGE (Powder Painted)
 BLACK (Powder Painted)
 GRAY (Powder Painted)

ABS COLOUR CODES

BEIGE : RAL 1015
 DARK BEIGE : RAL 1019
 GRAY : RAL 7035
 DARK GRAY : RAL 9023
 MID GRAY : RAL 7037
 BLACK : RAL 9005

LED STRIP COLOUR OPTIONS (12 V/24 V)

WARM WHITE
 COOL WHITE
 ORANGE
 BLUE

PROFILE COLOUR

TOTAL LENGTH

 Left Side mm

 Right Side mm

1st LIGHTING OPTIONS (Complete in AI)

		LED STRIP COLOUR
1	Indirect Ceiling Lighting	<input type="text"/>
2	Second Ceiling Lighting	<input type="text"/>
3	Corridor Side Slim Line Lighting	<input type="text"/>
4	Window Side Slim Line Lighting	<input type="text"/>
5	Window Side Lighting Channel	<input type="text"/>

2nd LIGHTING OPTIONS (AI + PC Ligth Diffuser)

		LED STRIP COLOUR
1	Ceiling Lighting	<input type="text"/>
2	Second Ceiling Lighting	<input type="text"/>
3	Corridor Side Slim Line Lighting	<input type="text"/>
4	Window Side Slim Line Lighting	<input type="text"/>
5	Window Side Lighting Channel	<input type="text"/>

suitable to combine

SPACER TYPE

<input type="checkbox"/>	<input type="checkbox"/>	<input type="checkbox"/>	<input type="checkbox"/>	<input type="checkbox"/>	<input type="checkbox"/>	<input type="checkbox"/>
Elegant	Elliptic	Plain Single Layer	Plain Double Layer	Flat	Junior	Plexi Glass Design

SERVICE SET

Standard Intense	<input type="checkbox"/>	<input type="checkbox"/>	<input type="checkbox"/>	<input type="checkbox"/>	<input type="checkbox"/>	<input type="checkbox"/>	<input type="checkbox"/>
Luxury Intense	<input type="checkbox"/>	<input type="checkbox"/>	<input type="checkbox"/>	<input type="checkbox"/>	<input type="checkbox"/>	<input type="checkbox"/>	<input type="checkbox"/>
Standard Intense With Wheel Air Diffuser	<input type="checkbox"/>	<input type="checkbox"/>	<input type="checkbox"/>	<input type="checkbox"/>	<input type="checkbox"/>	<input type="checkbox"/>	<input type="checkbox"/>
Luxury Intense With Wheel Air Diffuser	<input type="checkbox"/>	<input type="checkbox"/>	<input type="checkbox"/>	<input type="checkbox"/>	<input type="checkbox"/>	<input type="checkbox"/>	<input type="checkbox"/>
Drops	<input type="checkbox"/>	<input type="checkbox"/>	<input type="checkbox"/>	<input type="checkbox"/>	<input type="checkbox"/>	<input type="checkbox"/>	<input type="checkbox"/>
Drops With Spot Light	<input type="checkbox"/>	<input type="checkbox"/>	<input type="checkbox"/>	<input type="checkbox"/>	<input type="checkbox"/>	<input type="checkbox"/>	<input type="checkbox"/>
Elegant	<input type="checkbox"/>	<input type="checkbox"/>	<input type="checkbox"/>	<input type="checkbox"/>	<input type="checkbox"/>	<input type="checkbox"/>	<input type="checkbox"/>
Junior	<input type="checkbox"/>	<input type="checkbox"/>	<input type="checkbox"/>	<input type="checkbox"/>	<input type="checkbox"/>	<input type="checkbox"/>	<input type="checkbox"/>

SERVICE SET TYPE

SERVICE SET COLOUR

QUANTITY

LEFT	RIGHT
<input type="text"/>	<input type="text"/>

SPACER TYPE

SPACER COLOUR

ABS PANEL UPHOLSTERY OPTIONS

YES	<input type="checkbox"/>
NO	<input type="checkbox"/>

→ ABS PANEL UPHOLSTERY COLOUR OPTION

→ ABS PANEL COLOUR OPTION

Contrast	<input type="checkbox"/>	Matching	<input type="checkbox"/>
----------	--------------------------	----------	--------------------------

Contrast	<input type="checkbox"/>	Matching	<input type="checkbox"/>
----------	--------------------------	----------	--------------------------

Thank you for choosing our products.